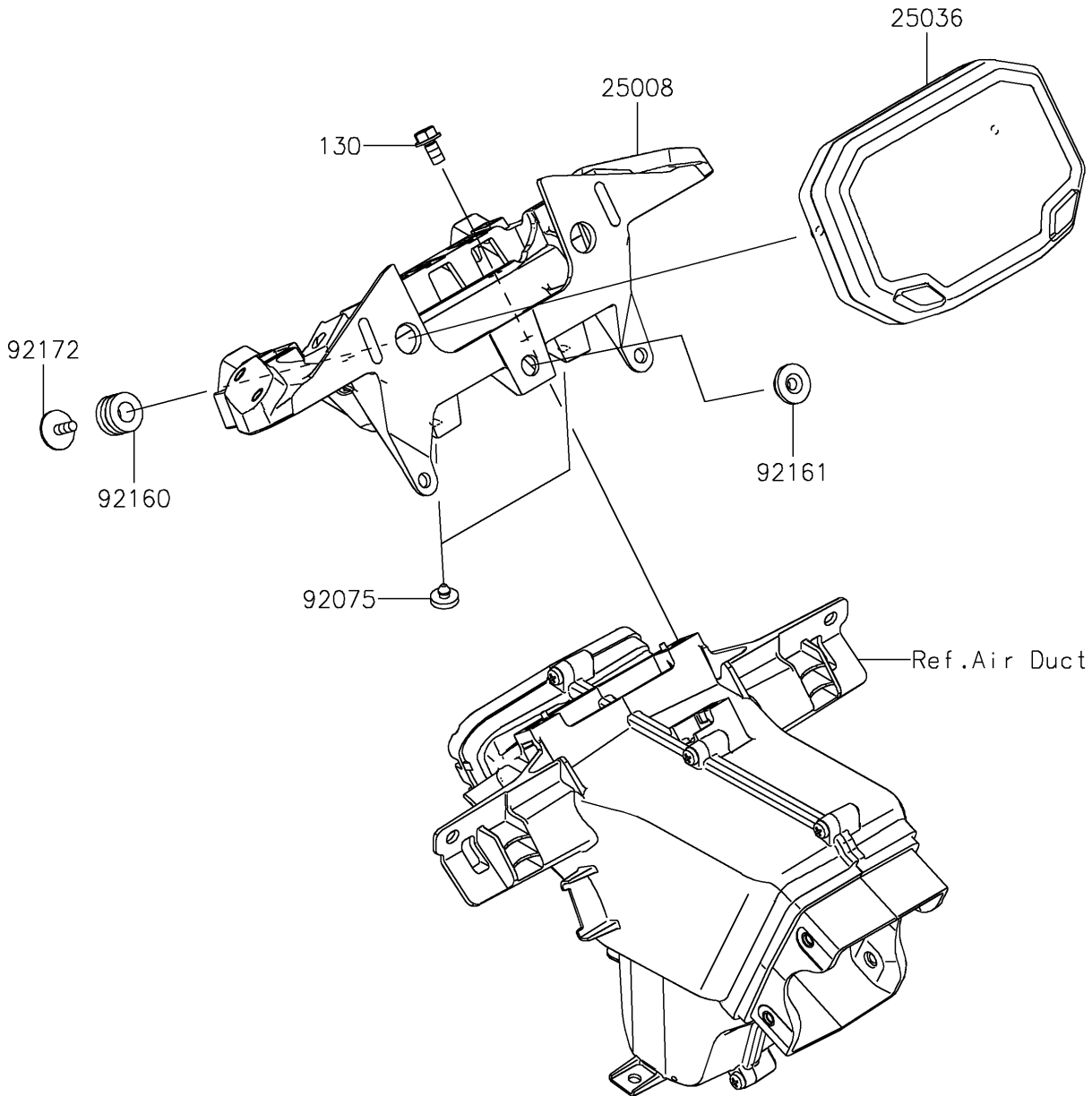


2025 NINJA® ZX™ -6R ABS PARTS DIAGRAM

Meter(s)

F2530



2025 NINJA® ZX™-6R ABS PARTS LIST

Meter(s)

| ITEM NAME | PART NUMBER | QUANTITY |
|--------------------------------------|-------------|----------|
| BRACKET-METER (Ref # 25008) | 25008-0311 | 1 |
| METER-ASSY,TFT DISPLAY (Ref # 25036) | 25036-0069 | 1 |
| DAMPER,BOOST SENSOR (Ref # 92075) | 92075-2113 | 2 |
| DAMPER,10X20X12 (Ref # 92160) | 92160-1167 | 2 |
| DAMPER (Ref # 92161) | 92161-1531 | 1 |
| SCREW,CROSS,5X14 (Ref # 92172) | 92172-1226 | 2 |
| BOLT-FLANGED,6X12 (Ref # 130) | 130BA0612 | 3 |