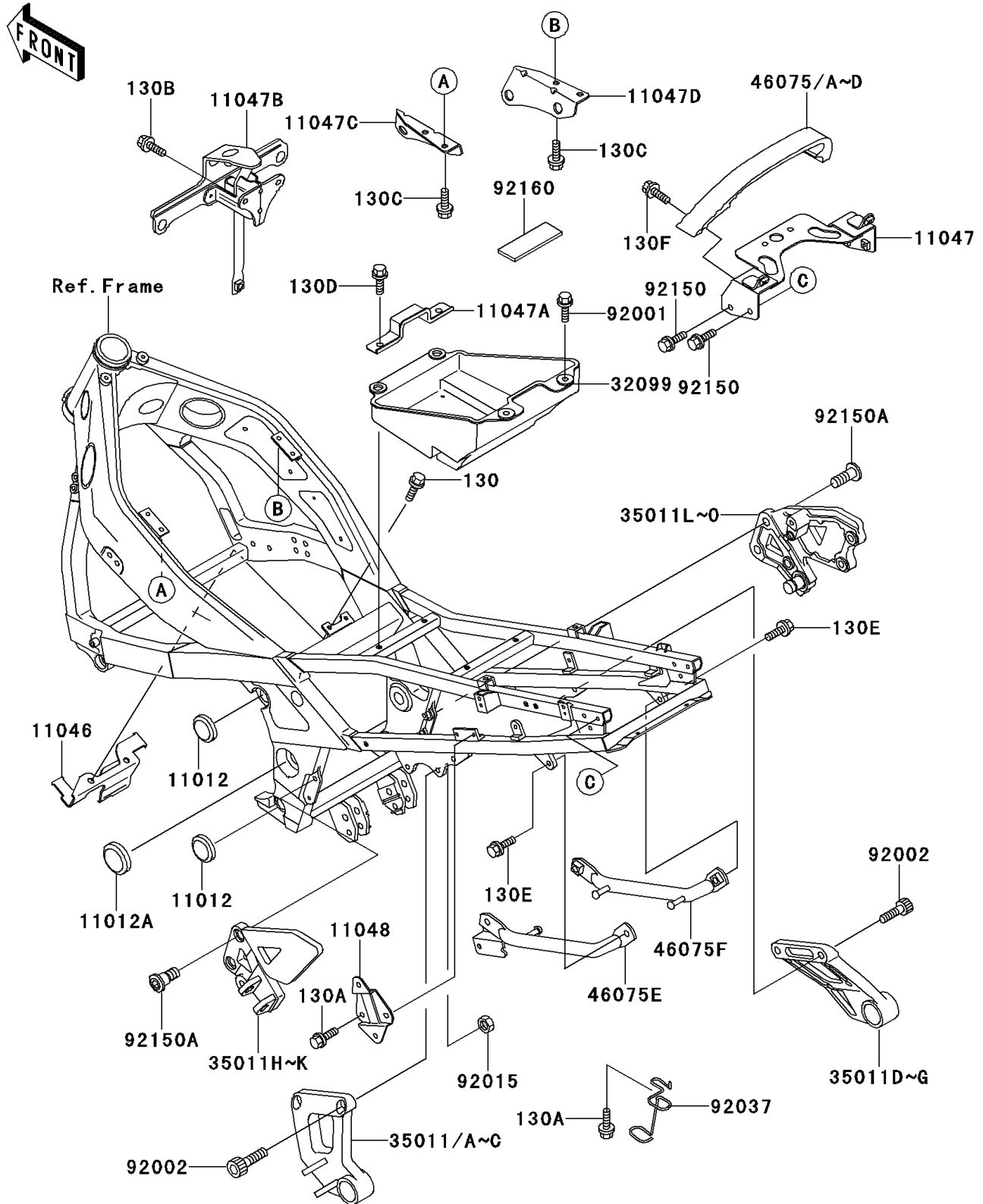


2001 Ninja® ZX™-6 PARTS DIAGRAM

Battery Case

F2132



2001 Ninja® ZX™-6 PARTS LIST

Battery Case

| ITEM NAME | PART NUMBER | QUANTITY |
|---|---------------|----------|
| CAP (Ref # 11012) | 11012-1460 | 4 |
| CAP (Ref # 11012A) | 11012-1657 | 2 |
| BRACKET,FUEL PUMP (Ref # 11046) | 11046-1987 | 1 |
| BRACKET,TAIL GRIP (Ref # 11047) | 11047-1923 | 1 |
| BRACKET,STORAGE CASE (Ref # 11047A) | 11047-1924 | 1 |
| BRACKET,OIL COOLER (Ref # 11047B) | 11047-1927 | 1 |
| BRACKET,IGNITION COIL,LH (Ref # 11047C) | 11047-1928 | 1 |
| BRACKET,IGNITION COIL,RH (Ref # 11047D) | 11047-1929 | 1 |
| BRACKET,REGULATOR (Ref # 11048) | 11048-1206 | 1 |
| CASE,STORAGE (Ref # 32099) | 32099-1142 | 1 |
| BOLT-FLANGED (Ref # 130) | 130D0612 | 2 |
| BOLT-FLANGED (Ref # 130A) | 130J0610 | 3 |
| BOLT-FLANGED,6X14,BLACK (Ref # 130B) | 130J0614 | 2 |
| BOLT-FLANGED,6X16,BLACK (Ref # 130C) | 130J0616 | 4 |
| BOLT-FLANGED (Ref # 130D) | 130J0620 | 2 |
| BOLT-FLANGED,8X20 (Ref # 130E) | 130J0820 | 4 |
| BOLT-FLANGED,8X25,BLACK (Ref # 130F) | 130J0825 | 2 |
| GRIP,FRAME,LH (Ref # 46075E) | 46075-1105 | 1 |
| GRIP,FRAME,RH (Ref # 46075F) | 46075-1106 | 1 |
| BOLT,6X20 (Ref # 92001) | 92001-1826 | 2 |
| BOLT,SOCKET,8X25 (Ref # 92002) | 92002-1442 | 4 |
| NUT,FLANGED,8MM,BLACK (Ref # 92015) | 92015-1183 | 4 |
| CLAMP,HOSE (Ref # 92037) | 92037-1875 | 1 |
| BOLT,6X30 (Ref # 92150) | 92150-1694 | 4 |
| BOLT,SOCKET,8X20 (Ref # 92150A) | 92150-1839 | 4 |
| DAMPER,BATTERY (Ref # 92160) | 92160-1094 | 1 |
| STAY,RR,LH,P.C.GRAY (Ref # 35011) | 35011-1629-CQ | 1 |
| STAY,RR,LH,C.GRAY (Ref # 35011A) | 35011-1629-EZ | 1 |
| STAY,RR,RH,P.C.GRAY (Ref # 35011D) | 35011-1630-CQ | 1 |

2001 Ninja® ZX™-6 PARTS LIST

Battery Case

| ITEM NAME | PART NUMBER | QUANTITY |
|------------------------------------|---------------|----------|
| STAY,RR,RH,C.GRAY (Ref # 35011E) | 35011-1630-EZ | 1 |
| STAY,FR,LH,P.C.GRAY (Ref # 35011H) | 35011-1638-CQ | 1 |
| STAY,FR,LH,C.GRAY (Ref # 35011I) | 35011-1638-EZ | 1 |
| STAY,FR,RH,P.C.GRAY (Ref # 35011L) | 35011-1639-CQ | 1 |
| STAY,FR,RH,C.GRAY (Ref # 35011M) | 35011-1639-EZ | 1 |
| GRIP,TAIL,P.P.BLACK (Ref # 46075C) | 46075-1103-20 | 1 |
| GRIP,TAIL,BLACK (Ref # 46075D) | 46075-1103-5M | 1 |