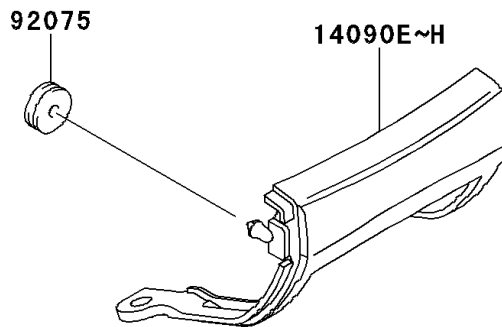
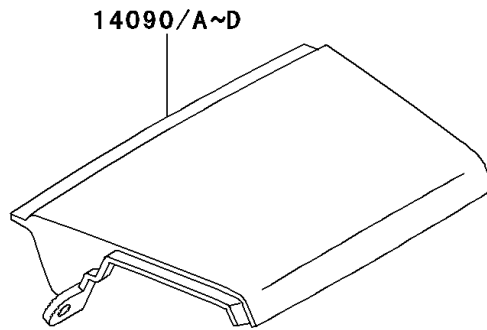
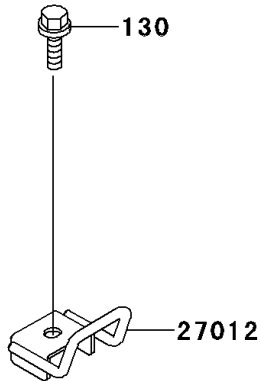
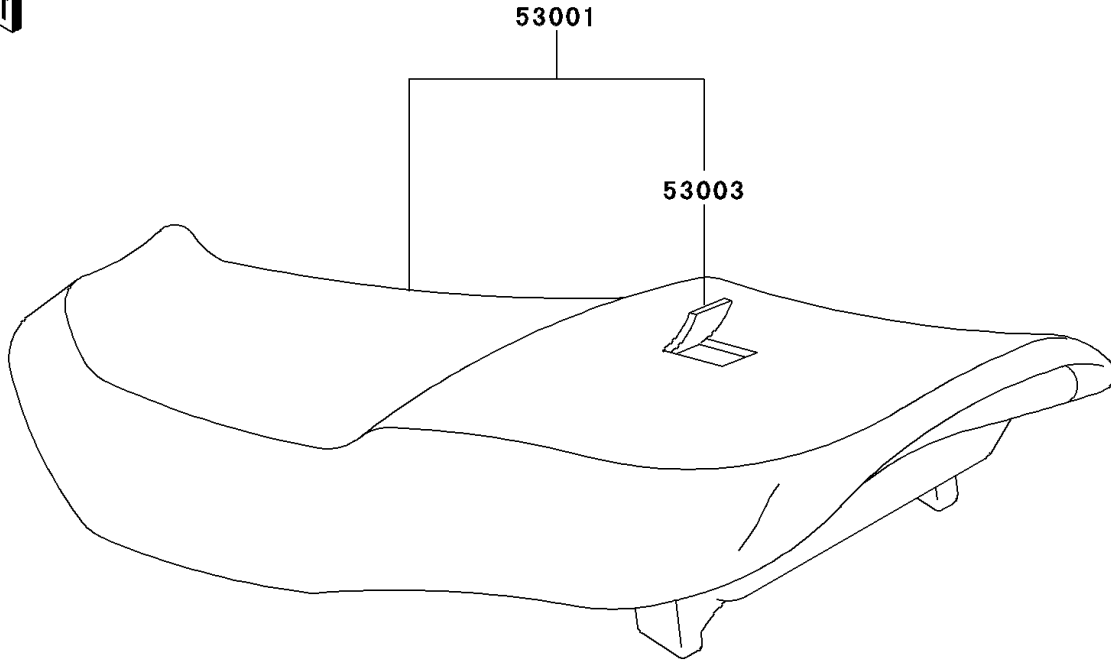


1999 Ninja® ZX™-6 PARTS DIAGRAM

Seat

F2510



1999 Ninja® ZX™-6 PARTS LIST

Seat

ITEM NAME	PART NUMBER	QUANTITY
BOLT-FLANGED (Ref # 130)	130J0612	2
COVER,TAIL,UPP,C.P.RED (Ref # 14090)	14090-1254-A5	1
COVER,TAIL,LWR,C.P.RED (Ref # 14090E)	14090-1255-A5	1
HOOK,SEAT (Ref # 27012)	27012-1468	2
SEAT-ASSY,DUAL,BLACK (Ref # 53001)	53001-1689-MA	1
LEATHER,SEAT,BLACK (Ref # 53003)	53003-1270-MA	1
DAMPER (Ref # 92075)	92075-1629	2
COVER,TAIL,UPP,M.GRAYSTONE (Ref # 14090A)	14090-1254-C4	1
COVER,TAIL,LWR,EBONY (Ref # 14090F)	14090-1255-H8	1