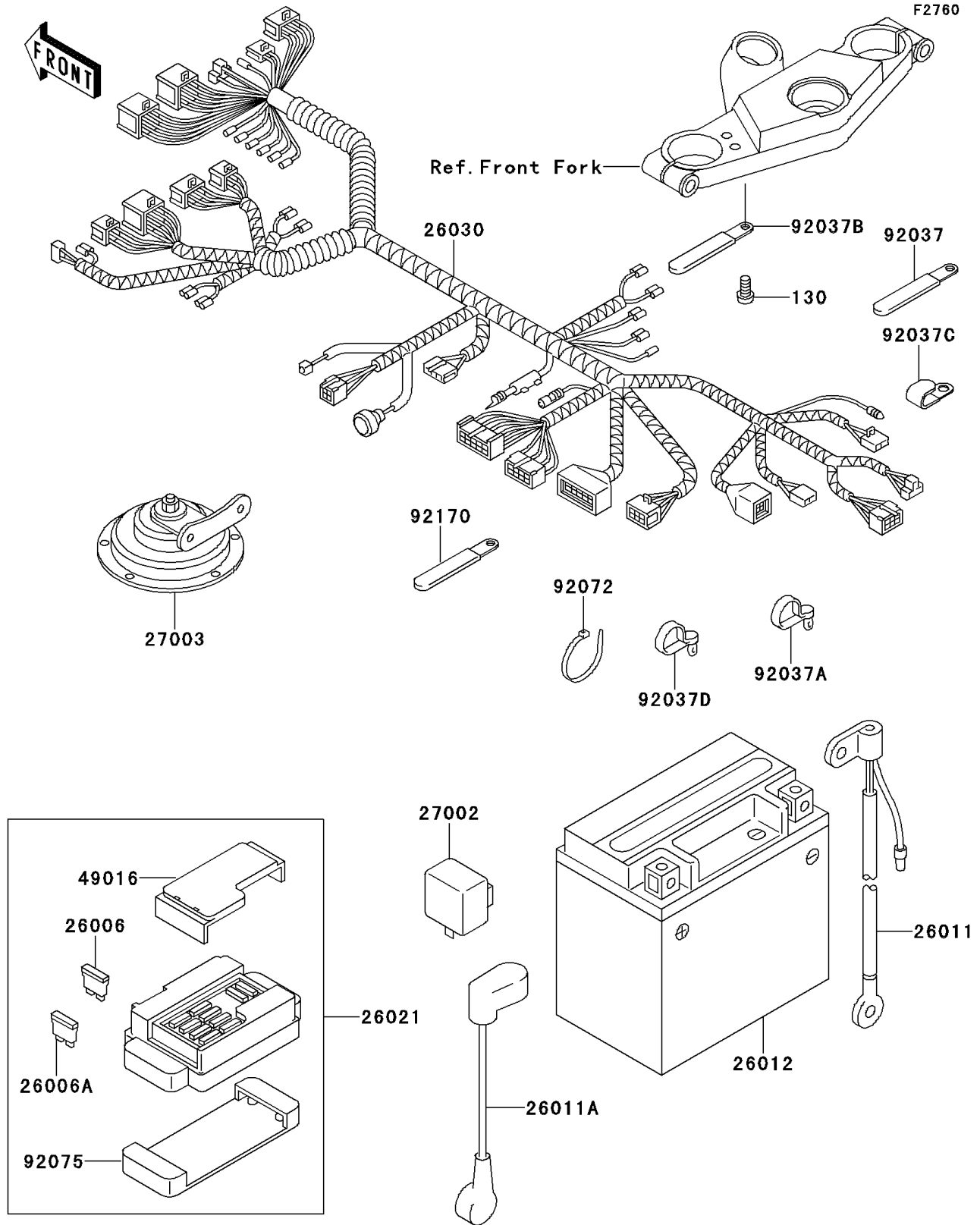


1999 Ninja® ZX™ -6 PARTS DIAGRAM

Chassis Electrical Equipment



1999 Ninja® ZX™-6 PARTS LIST

Chassis Electrical Equipment

| ITEM NAME | PART NUMBER | QUANTITY |
|---|-------------|----------|
| BOLT-FLANGED,6X14,BLACK (Ref # 130) | 130J0614 | 1 |
| FUSE,30A-G (Ref # 26006) | 26006-1067 | 1 |
| FUSE,10A-R (Ref # 26006A) | 26006-1068 | 8 |
| WIRE-LEAD,BATTERY(-) (Ref # 26011) | 26011-1429 | 1 |
| WIRE-LEAD,BATTERY(+) (Ref # 26011A) | 26011-1540 | 1 |
| BATTERY,YTX12-BS,12V 10AH (Ref # 26012) | 26012-1330 | 1 |
| JUNCTION BOX (Ref # 26021) | 26021-1089 | 1 |
| HARNESS,MAIN (Ref # 26030) | 26030-1476 | 1 |
| RELAY-ASSY,TURN SIGNAL (Ref # 27002) | 27002-1101 | 1 |
| HORN (Ref # 27003) | 27003-1316 | 1 |
| COVER-SEAL,FUSE (Ref # 49016) | 49016-1177 | 1 |
| CLAMP,WIRING HARNESS,L=60 (Ref # 92037) | 92037-1069 | 3 |
| CLAMP,SPEED,L=58 (Ref # 92037A) | 92037-1163 | 1 |
| CLAMP,L=45 (Ref # 92037B) | 92037-1539 | 1 |
| CLAMP,WIRING HARNESS (Ref # 92037C) | 92037-1877 | 3 |
| CLAMP,SPEED,L=80.5 (Ref # 92037D) | 92037-1903 | 1 |
| BAND,L=202 (Ref # 92072) | 92072-1195 | 8 |
| DAMPER,JUNCTION BOX (Ref # 92075) | 92075-1688 | 1 |
| CLAMP,L=150 (Ref # 92170) | 92170-1114 | 1 |