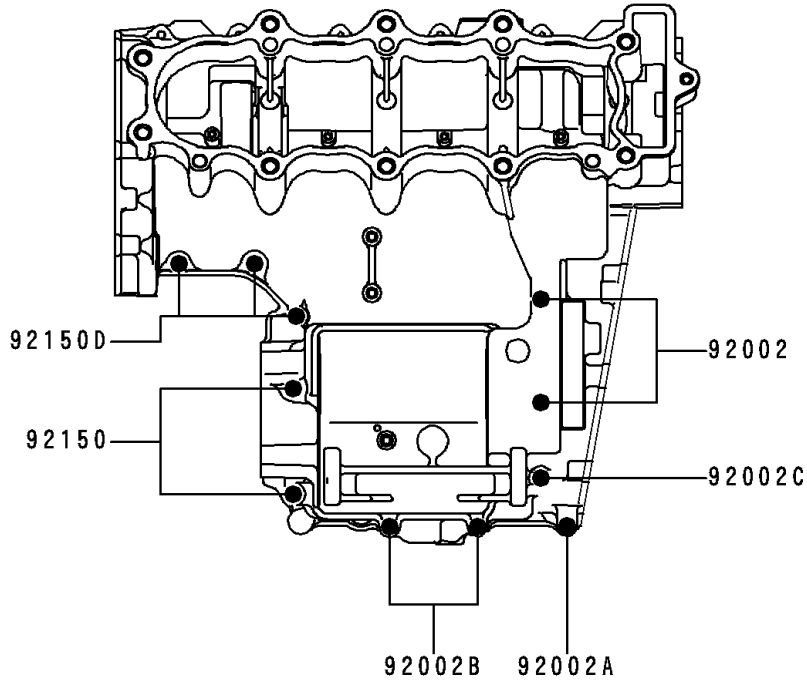


1999 Ninja[®] ZX[™]-6R PARTS DIAGRAM

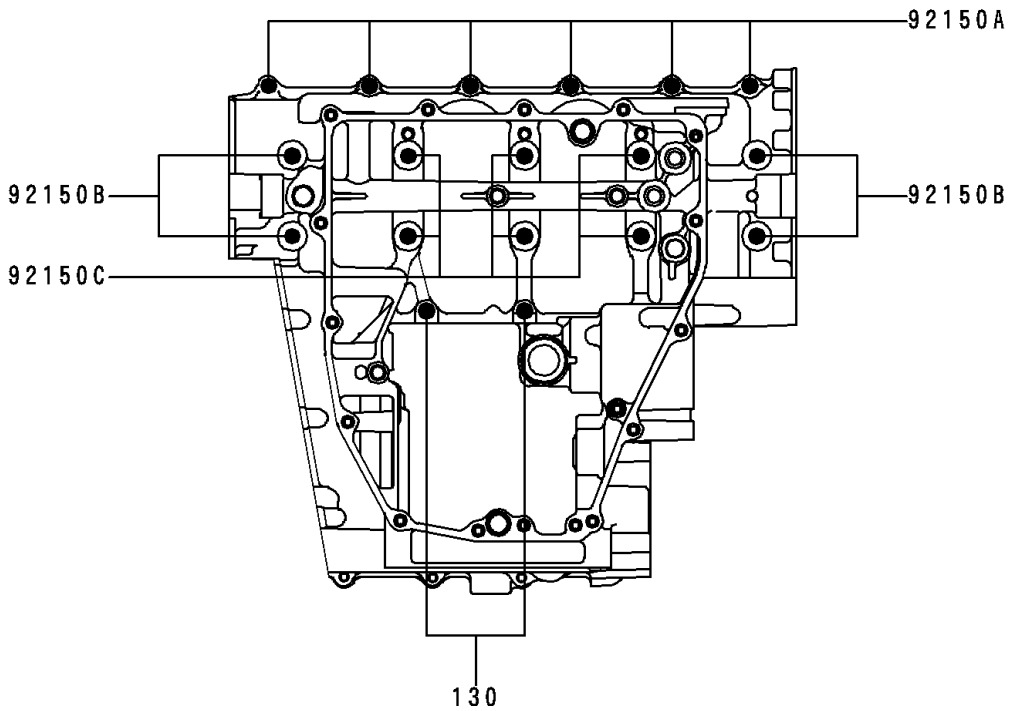
Crankcase Bolt Pattern

E1412

Upper Case



Lower Case



1999 Ninja® ZX™-6R PARTS LIST

Crankcase Bolt Pattern

| ITEM NAME | PART NUMBER | QUANTITY |
|--------------------------|-------------|----------|
| BOLT-FLANGED (Ref # 130) | 130P0675 | 2 |
| BOLT,6X95 (Ref # 92002) | 92002-1078 | 2 |
| BOLT,6X50 (Ref # 92002A) | 92002-1079 | 1 |
| BOLT,6X65 (Ref # 92002B) | 92002-1140 | 2 |
| BOLT,6X85 (Ref # 92002C) | 92002-1306 | 1 |
| BOLT,7X70 (Ref # 92150) | 92150-1250 | 2 |
| BOLT,6X38 (Ref # 92150A) | 92150-1301 | 6 |
| BOLT,8X99 (Ref # 92150B) | 92150-1856 | 4 |
| BOLT,8X76 (Ref # 92150C) | 92150-1857 | 6 |
| BOLT,6X35 (Ref # 92150D) | 92150-1862 | 3 |