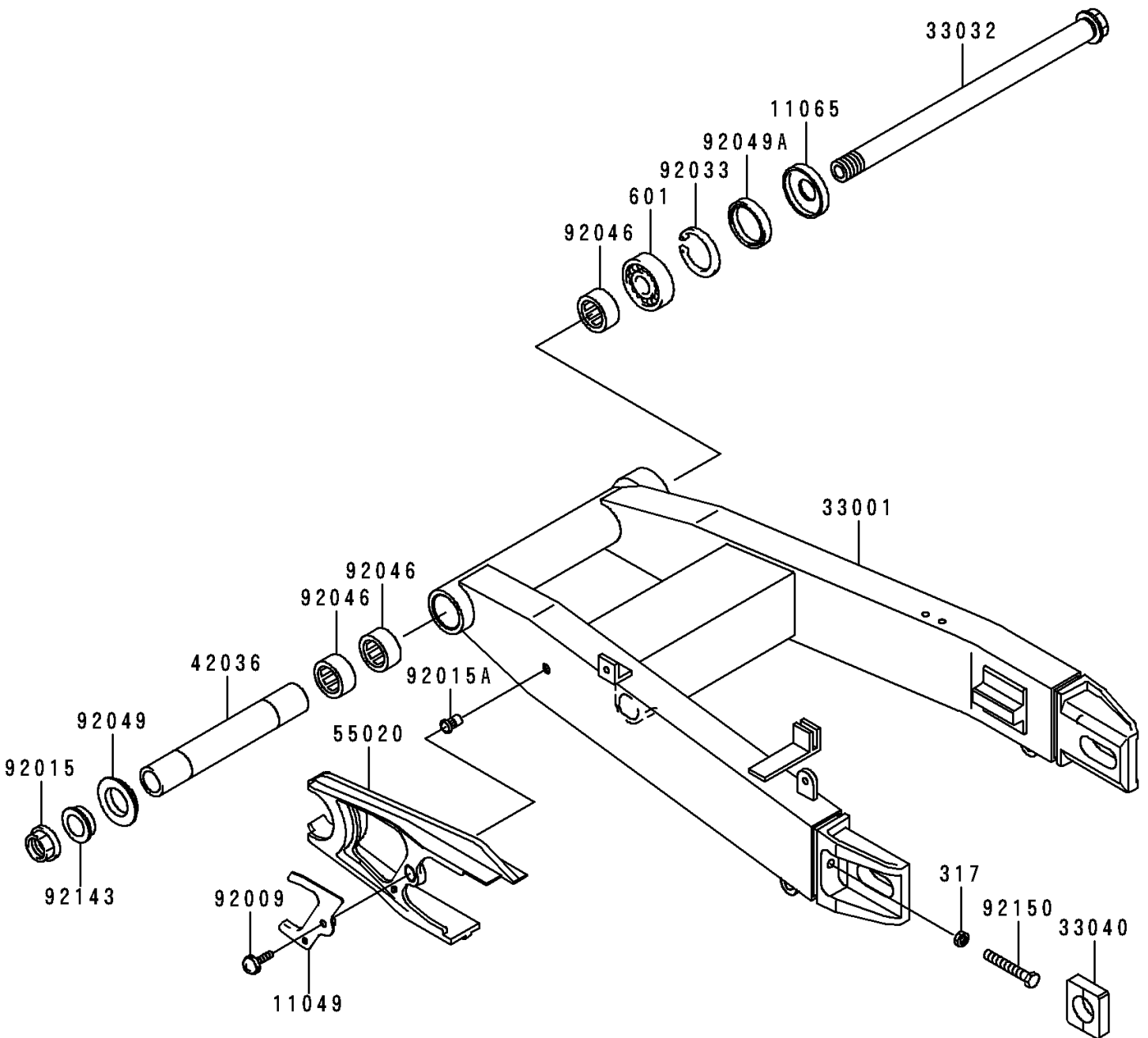


# 1998 Ninja® ZX™-6R PARTS DIAGRAM

Swingarm

F2141



# 1998 Ninja® ZX™-6R PARTS LIST

## Swingarm

| ITEM NAME                             | PART NUMBER   | QUANTITY |
|---------------------------------------|---------------|----------|
| NUT-HEX-SMALL,8MM (Ref # 317)         | 317G0800      | 2        |
| BEARING-BALL,#6004 (Ref # 601)        | 601A6004      | 1        |
| BRACKET,CHAIN GUARD (Ref # 11049)     | 11049-1234    | 1        |
| CAP,SWING ARM PIVOT (Ref # 11065)     | 11065-1100    | 1        |
| ARM-COMP-SWING,SILVER (Ref # 33001)   | 33001-1548-TX | 1        |
| SHAFT-SWING ARM (Ref # 33032)         | 33032-1191    | 1        |
| ADJUSTER-CHAIN (Ref # 33040)          | 33040-1114    | 2        |
| SLEEVE,SWING ARM,L=213 (Ref # 42036)  | 42036-1283    | 1        |
| GUARD,CHAIN (Ref # 55020)             | 55020-1656    | 1        |
| SCREW,6X22 (Ref # 92009)              | 92009-1664    | 1        |
| NUT,FLANGED,20MM (Ref # 92015)        | 92015-1724    | 1        |
| NUT,POP,6MM,L=16.5 (Ref # 92015A)     | 92015-1792    | 1        |
| RING-SNAP,42MM (Ref # 92033)          | 92033-1041    | 1        |
| BEARING-NEEDLE,BM2817 (Ref # 92046)   | 92046-1111    | 3        |
| SEAL-OIL (Ref # 92049)                | 92049-1181    | 1        |
| SEAL-OIL,MHSA25 42 6 (Ref # 92049A)   | 92049-1314    | 1        |
| COLLAR,SWING ARM,L=12.5 (Ref # 92143) | 92143-1227    | 1        |
| BOLT,8X55 (Ref # 92150)               | 92150-1350    | 2        |