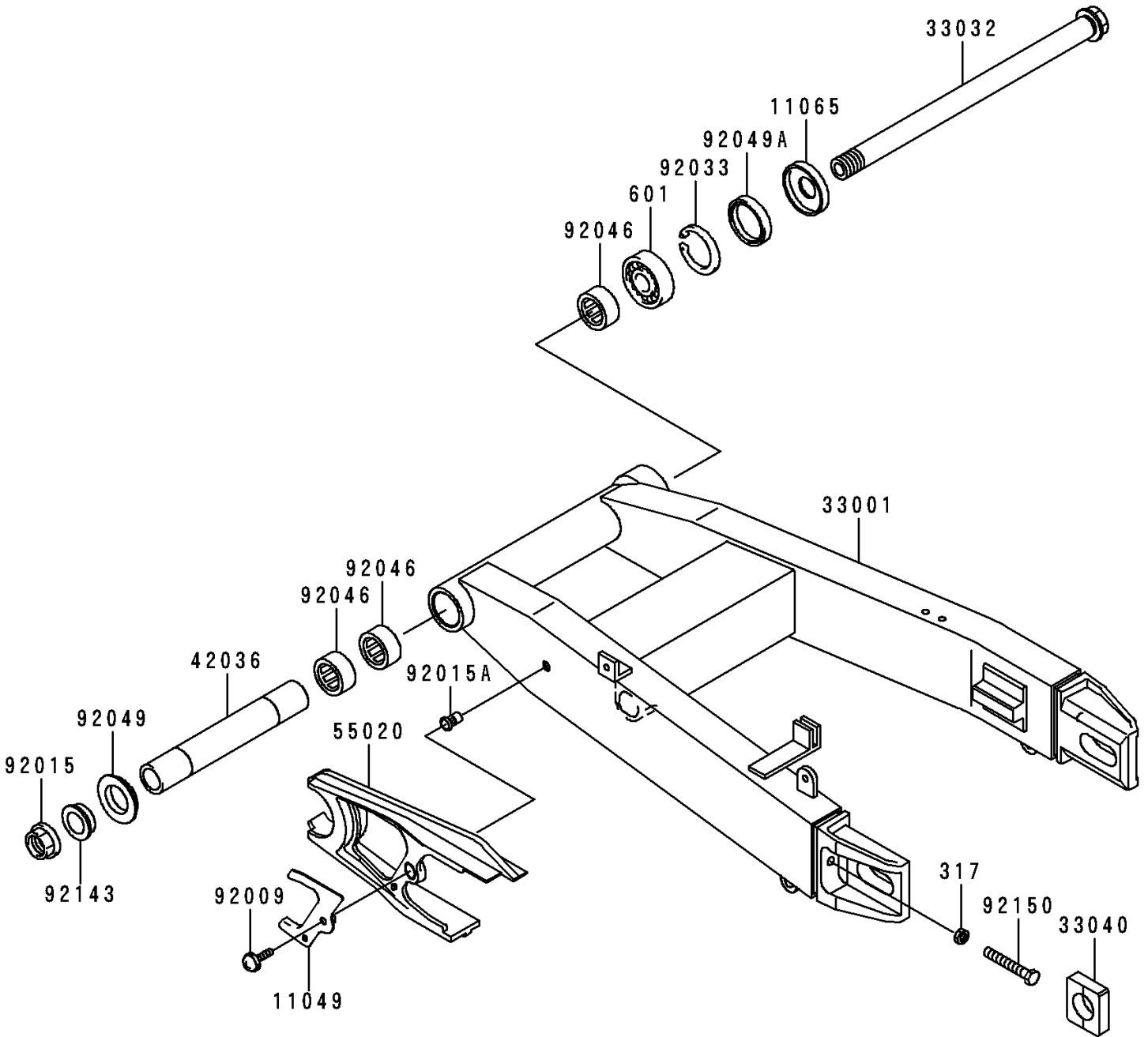


1999 Ninja[®] ZX[™]-6R PARTS DIAGRAM

Swingarm

F2141



1999 Ninja® ZX™-6R PARTS LIST

Swingarm

ITEM NAME	PART NUMBER	QUANTITY
NUT-HEX-SMALL,8MM (Ref # 317)	317G0800	2
BEARING-BALL,#6004 (Ref # 601)	601A6004	1
BRACKET,CHAIN GUARD (Ref # 11049)	11049-1234	1
CAP,SWING ARM PIVOT (Ref # 11065)	11065-1100	1
ARM-COMP-SWING,SILVER (Ref # 33001)	33001-1548-TX	1
SHAFT-SWING ARM (Ref # 33032)	33032-1191	1
ADJUSTER-CHAIN (Ref # 33040)	33040-1114	2
SLEEVE,SWING ARM,L=213 (Ref # 42036)	42036-1283	1
GUARD,CHAIN (Ref # 55020)	55020-1656	1
SCREW,6X22 (Ref # 92009)	92009-1664	1
NUT,FLANGED,20MM (Ref # 92015)	92015-1724	1
NUT,POP,6MM,L=16.5 (Ref # 92015A)	92015-1792	1
RING-SNAP,42MM (Ref # 92033)	92033-1041	1
BEARING-NEEDLE,BM2817 (Ref # 92046)	92046-1111	3
SEAL-OIL (Ref # 92049)	92049-1181	1
SEAL-OIL,MHSA25 42 6 (Ref # 92049A)	92049-1314	1
COLLAR,SWING ARM,L=12.5 (Ref # 92143)	92143-1227	1
BOLT,8X55 (Ref # 92150)	92150-1350	2