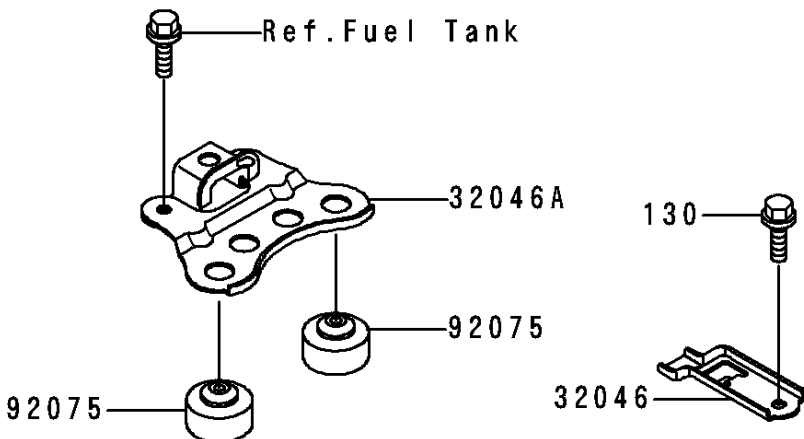
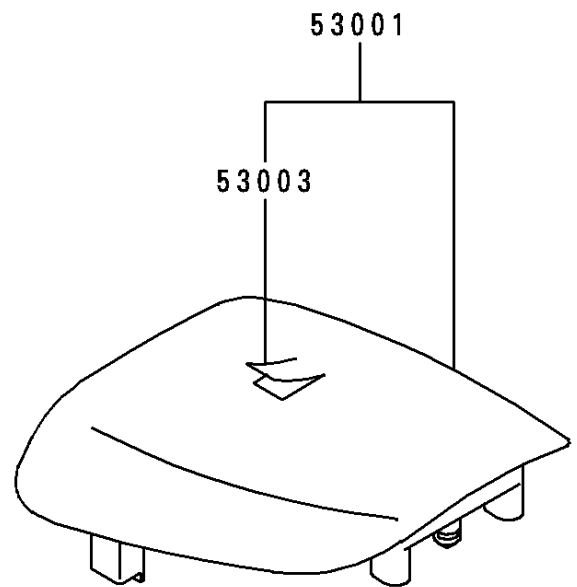
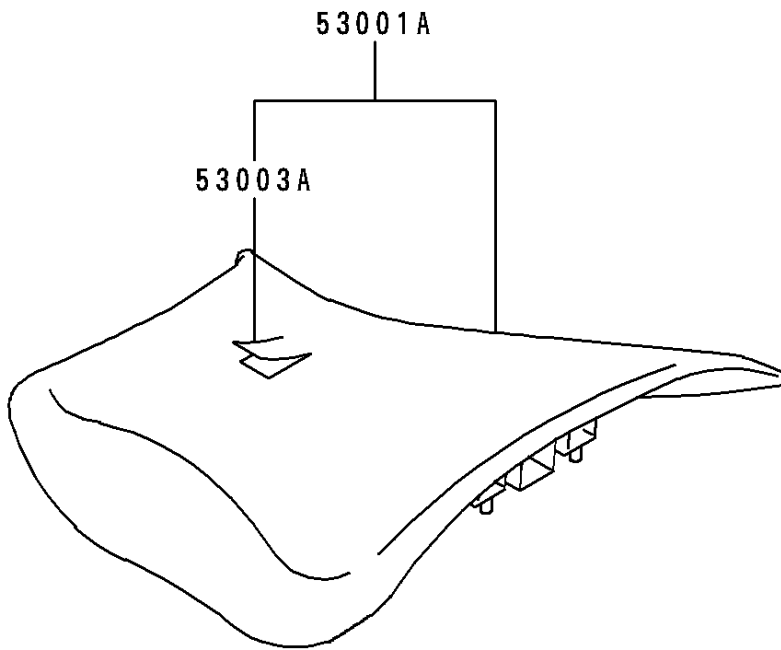


1999 Ninja® ZX™-6R PARTS DIAGRAM

Seat

F 2510



1999 Ninja® ZX™-6R PARTS LIST

Seat

| ITEM NAME | PART NUMBER | QUANTITY |
|-----------------------------------------|---------------|----------|
| BOLT-FLANGED (Ref # 130) | 130J0610 | 1 |
| BRACKET-SEAT,RR (Ref # 32046) | 32046-1437 | 1 |
| BRACKET-SEAT,FR (Ref # 32046A) | 32046-1447 | 1 |
| SEAT-ASSY,RR,BLACK (Ref # 53001) | 53001-1866-MA | 1 |
| SEAT-ASSY,FR,BLACK (Ref # 53001A) | 53001-1871-MA | 1 |
| LEATHER,REAR SEAT,BLACK (Ref # 53003) | 53003-1407-MA | 1 |
| LEATHER,FRONT SEAT,BLACK (Ref # 53003A) | 53003-1409-MA | 1 |
| DAMPER (Ref # 92075) | 92075-1737 | 2 |