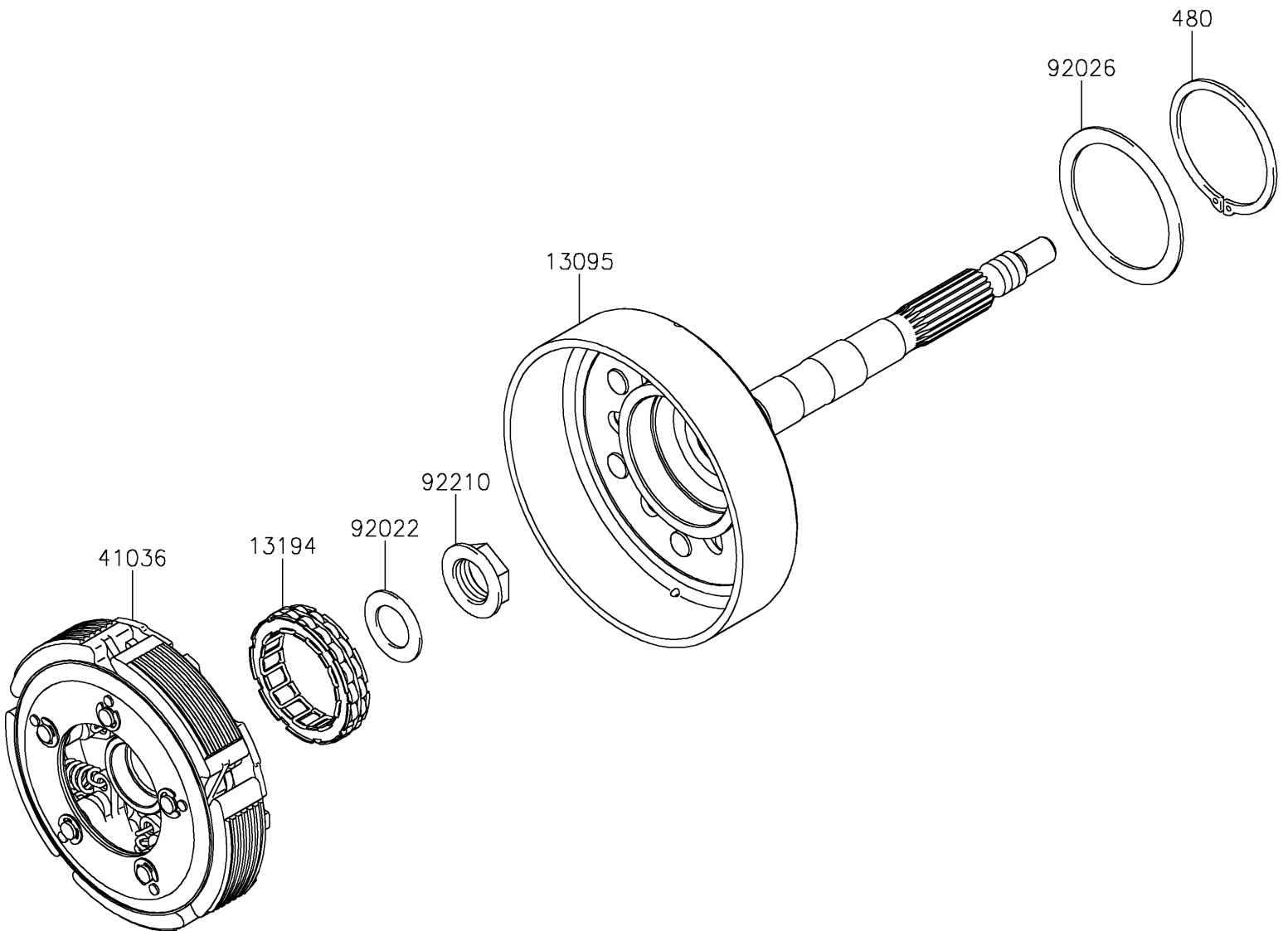


# 2024 TERYX® PARTS DIAGRAM

Clutch

E1350



## 2024 TERYX® PARTS LIST

### Clutch

| ITEM NAME                         | PART NUMBER | QUANTITY |
|-----------------------------------|-------------|----------|
| HOUSING-COMP-CLUTCH (Ref # 13095) | 13095-0554  | 1        |
| CLUTCH-ONEWAY (Ref # 13194)       | 13194-0555  | 1        |
| HUB-ASSY (Ref # 41036)            | 41036-0639  | 1        |
| WASHER,20.5X34X1.4 (Ref # 92022)  | 92022-168   | 1        |
| SPACER (Ref # 92026)              | 92026-0710  | 1        |
| NUT,20MM (Ref # 92210)            | 92210-0711  | 1        |
| CIRCLIP-TYPE-C,60MM (Ref # 480)   | 480J6000    | 1        |