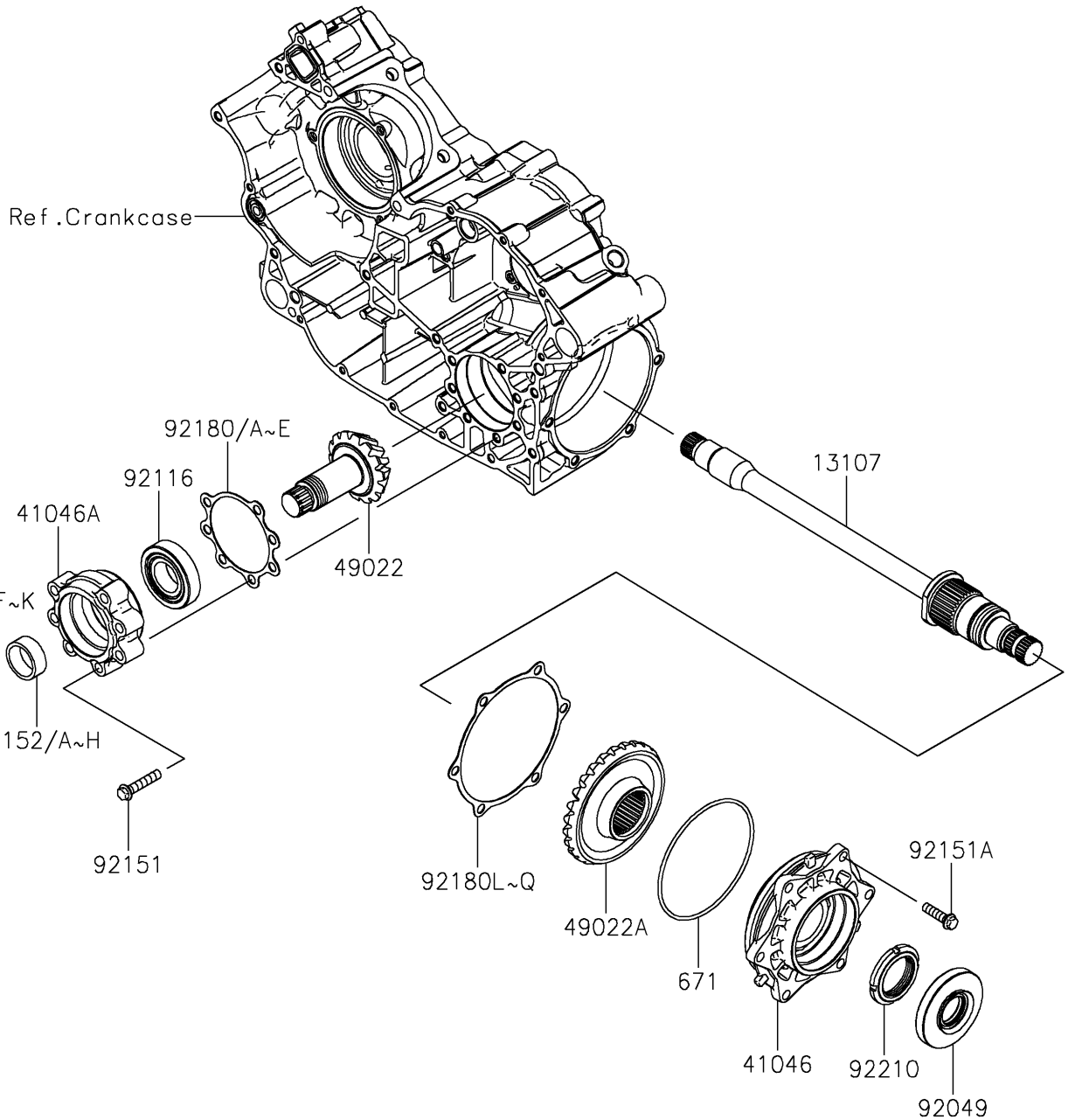


2025 Teryx4 PARTS DIAGRAM

Front Bevel Gear

E3131



2025 Teryx4 PARTS LIST

Front Bevel Gear

| ITEM NAME | PART NUMBER | QUANTITY |
|--|-------------|----------|
| SHAFT,OUTPUT (Ref # 13107) | 13107-0766 | 1 |
| GEAR,OUTPUT,30T (Ref # 13262) | 13262-1142 | 1 |
| HOUSING-BEARING,DRIVEN (Ref # 41046) | 41046-0026 | 1 |
| HOUSING-BEARING,DRIVE (Ref # 41046A) | 41046-0040 | 1 |
| GEAR-BEVEL,PINION,14T (Ref # 49022) | 49022-0602 | 1 |
| GEAR-BEVEL,DRIVEN,27T (Ref # 49022A) | 49022-0603 | 1 |
| SEAL-OIL (Ref # 92049) | 92049-0712 | 1 |
| BEARING-ROLLER,HR30206JUQU42 (Ref # 92116) | 92116-0568 | 2 |
| BOLT,8X40 (Ref # 92151) | 92151-1621 | 7 |
| BOLT-FLANGED-SMALL,8X30 (Ref # 92151A) | 92151-1688 | 6 |
| COLLAR,30.2X37X13.1 (Ref # 92152) | 92152-0947 | AR |
| COLLAR,30.2X37X13.2 (Ref # 92152A) | 92152-0948 | AR |
| COLLAR,30.2X37X13.3 (Ref # 92152B) | 92152-0949 | AR |
| COLLAR,30.2X37X13.4 (Ref # 92152C) | 92152-0950 | AR |
| COLLAR,30.2X37X13.5 (Ref # 92152D) | 92152-0951 | AR |
| COLLAR,30.2X37X13.6 (Ref # 92152E) | 92152-0952 | AR |
| COLLAR,30.2X37X13.7 (Ref # 92152F) | 92152-0953 | 1 |
| COLLAR,30.2X37X13.8 (Ref # 92152G) | 92152-0954 | AR |
| COLLAR,30.2X37X13.9 (Ref # 92152H) | 92152-0955 | AR |
| SHIM,DRIVE,T=0.15 (Ref # 92180) | 92180-0702 | AR |
| SHIM,DRIVE,T=0.20 (Ref # 92180A) | 92180-0703 | AR |
| SHIM,DRIVE,T=0.50 (Ref # 92180B) | 92180-0704 | AR |
| SHIM,DRIVE,T=0.80 (Ref # 92180C) | 92180-0705 | AR |
| SHIM,DRIVE,T=1.0 (Ref # 92180D) | 92180-0706 | 1 |
| SHIM,DRIVE,T=1.2 (Ref # 92180E) | 92180-0707 | AR |
| SHIM,DRIVE,T=1.70 (Ref # 92180F) | 92180-0708 | AR |
| SHIM,DRIVE,T=1.72 (Ref # 92180G) | 92180-0709 | AR |
| SHIM,DRIVE,T=1.74 (Ref # 92180H) | 92180-0710 | AR |
| SHIM,DRIVE,T=1.76 (Ref # 92180I) | 92180-0711 | AR |

2025 Teryx4 PARTS LIST

Front Bevel Gear

| ITEM NAME | PART NUMBER | QUANTITY |
|-----------------------------------|-------------|----------|
| SHIM,DRIVE,T=1.78 (Ref # 92180J) | 92180-0712 | 1 |
| SHIM,DRIVE,T=1.80 (Ref # 92180K) | 92180-0713 | AR |
| SHIM,DRIVEN,T=0.15 (Ref # 92180L) | 92180-0714 | AR |
| SHIM,DRIVEN,T=0.20 (Ref # 92180M) | 92180-0715 | AR |
| SHIM,DRIVEN,T=0.50 (Ref # 92180N) | 92180-0716 | AR |
| SHIM,DRIVEN,T=0.80 (Ref # 92180O) | 92180-0717 | AR |
| SHIM,DRIVEN,T=1.0 (Ref # 92180P) | 92180-0718 | 1 |
| SHIM,DRIVEN,T=1.2 (Ref # 92180Q) | 92180-0719 | AR |
| NUT,40MM (Ref # 92210) | 92210-1893 | 1 |
| NUT (Ref # 92210A) | 92210-1915 | 1 |
| CIRCLIP-TYPE-C,24MM (Ref # 480) | 480J2400 | 1 |
| O RING,115MM (Ref # 671) | 671D25115 | 1 |