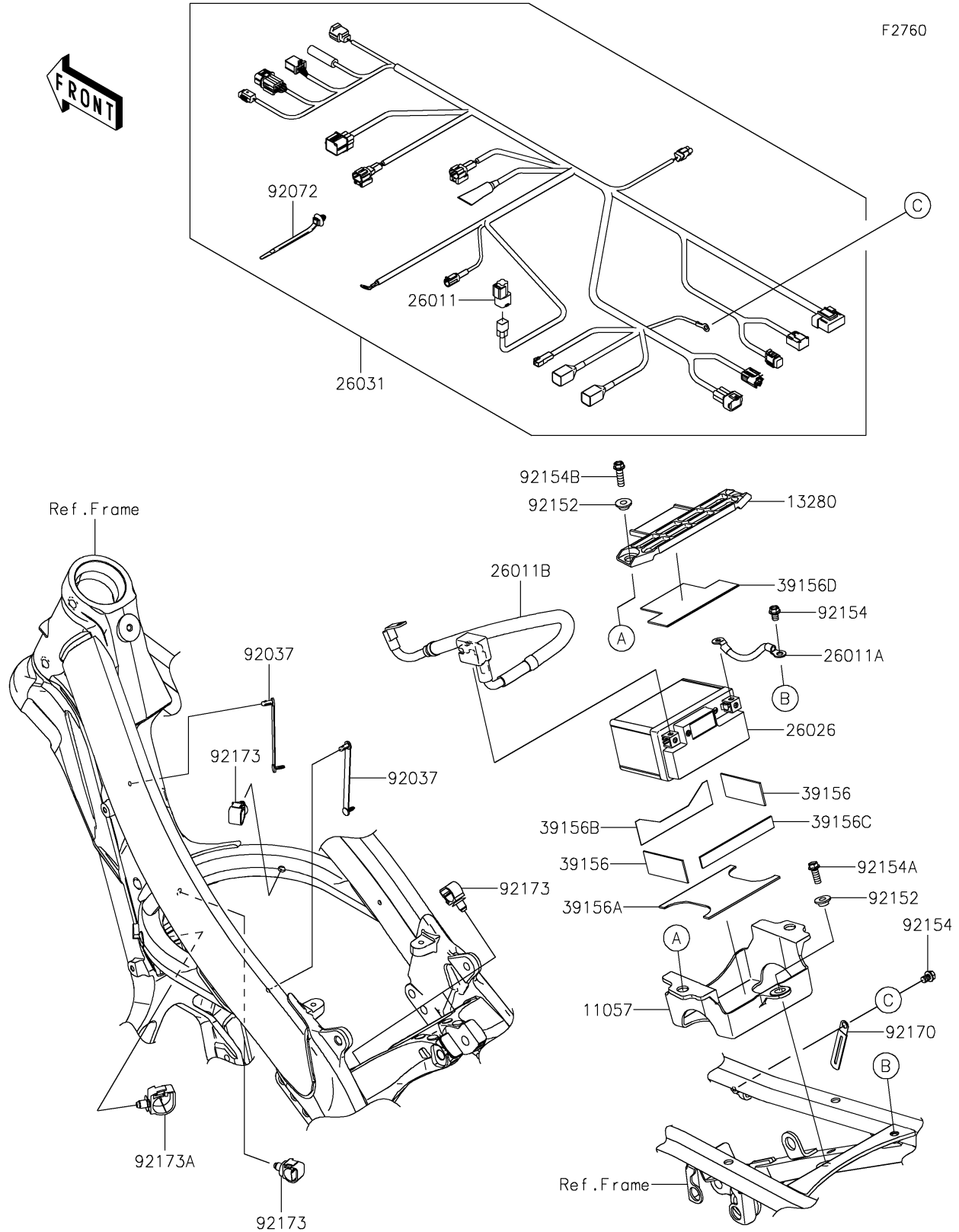


2025 KX™ 250X PARTS DIAGRAM

Chassis Electrical Equipment



2025 KX™ 250X PARTS LIST

Chassis Electrical Equipment

ITEM NAME	PART NUMBER	QUANTITY
BRACKET,BATTERY CASE (Ref # 11057)	11057-1550	1
HOLDER,BATTERY COVER (Ref # 13280)	13280-0912	1
WIRE-LEAD,NATURAL (Ref # 26011)	26011-0273	1
WIRE-LEAD,BATTERY(-) (Ref # 26011A)	26011-0997	1
WIRE-LEAD,BATTERY(+) (Ref # 26011B)	26011-2429	1
BATTERY-LI-ION-STARTER,HJ01 (Ref # 26026)	26026-0005	1
HARNESS,MAIN (Ref # 26031)	26031-4250	1
PAD,25X58X1.5 (Ref # 39156)	39156-2419	2
PAD,100X72X1.5 (Ref # 39156A)	39156-2420	1
PAD,FR (Ref # 39156B)	39156-2640	1
PAD,RR (Ref # 39156C)	39156-2641	1
PAD,TOP (Ref # 39156D)	39156-2642	1
CLAMP,SPEED,L=80.5 (Ref # 92037)	92037-1903	2
BAND,OS170-FT7(BLACK) (Ref # 92072)	92072-1414	AR
COLLAR,6.5X10X5.6 (Ref # 92152)	92152-0445	3
BOLT,FLANGED,6X8 (Ref # 92154)	92154-2962	2
BOLT,FLANGED,6X16 (Ref # 92154A)	92154-2965	1
BOLT,FLANGED,6X20 (Ref # 92154B)	92154-2966	2
CLAMP (Ref # 92170)	92170-1514	1
CLAMP,12MM DIA. (Ref # 92173)	92173-0736	4
CLAMP (Ref # 92173A)	92173-0861	1