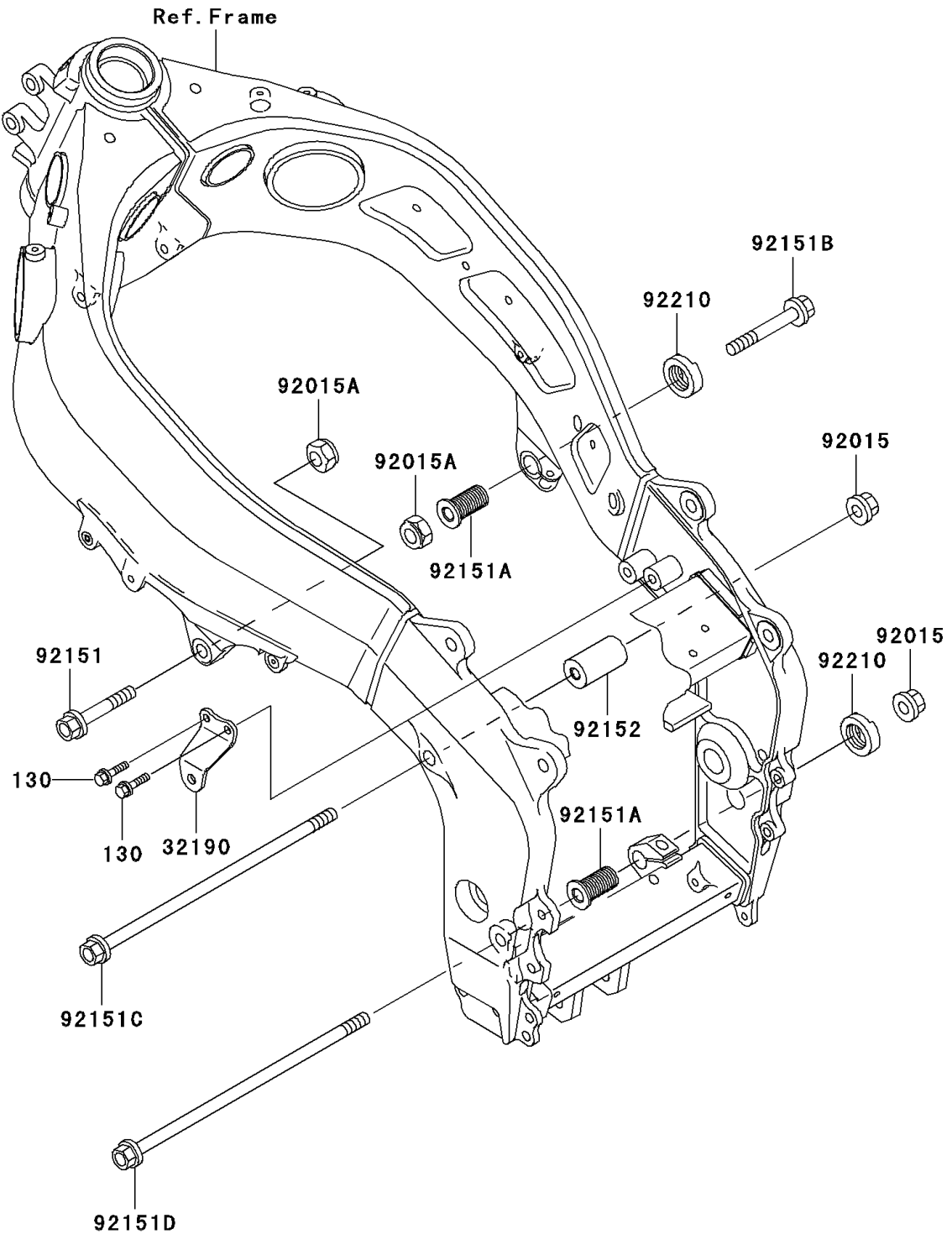


2000 Ninja[®] ZX[™]-6R PARTS DIAGRAM

Engine Mount

F2122



2000 Ninja® ZX™-6R PARTS LIST

Engine Mount

| ITEM NAME | PART NUMBER | QUANTITY |
|--|-------------|----------|
| BOLT-FLANGED,8X20 (Ref # 130) | 130J0820 | 2 |
| BRACKET-ENGINE,RR,UPP,RH (Ref # 32190) | 32190-1148 | 1 |
| NUT,FLANGED,10MM (Ref # 92015) | 92015-1180 | 2 |
| NUT,LOCK,10MM,BLACK (Ref # 92015A) | 92015-1189 | 2 |
| BOLT,FLANGED,10X80 (Ref # 92151) | 92151-1608 | 1 |
| BOLT,ENGINE MOUNT,18MM (Ref # 92151A) | 92151-1609 | 2 |
| BOLT,FLANGED,10X100 (Ref # 92151B) | 92151-1628 | 1 |
| BOLT,FLANGED,10X234 (Ref # 92151C) | 92151-1629 | 1 |
| BOLT,FLANGED,10X207 (Ref # 92151D) | 92151-1630 | 1 |
| COLLAR,10.5X26X70 (Ref # 92152) | 92152-1062 | 1 |
| NUT,18MM (Ref # 92210) | 92210-1203 | 2 |