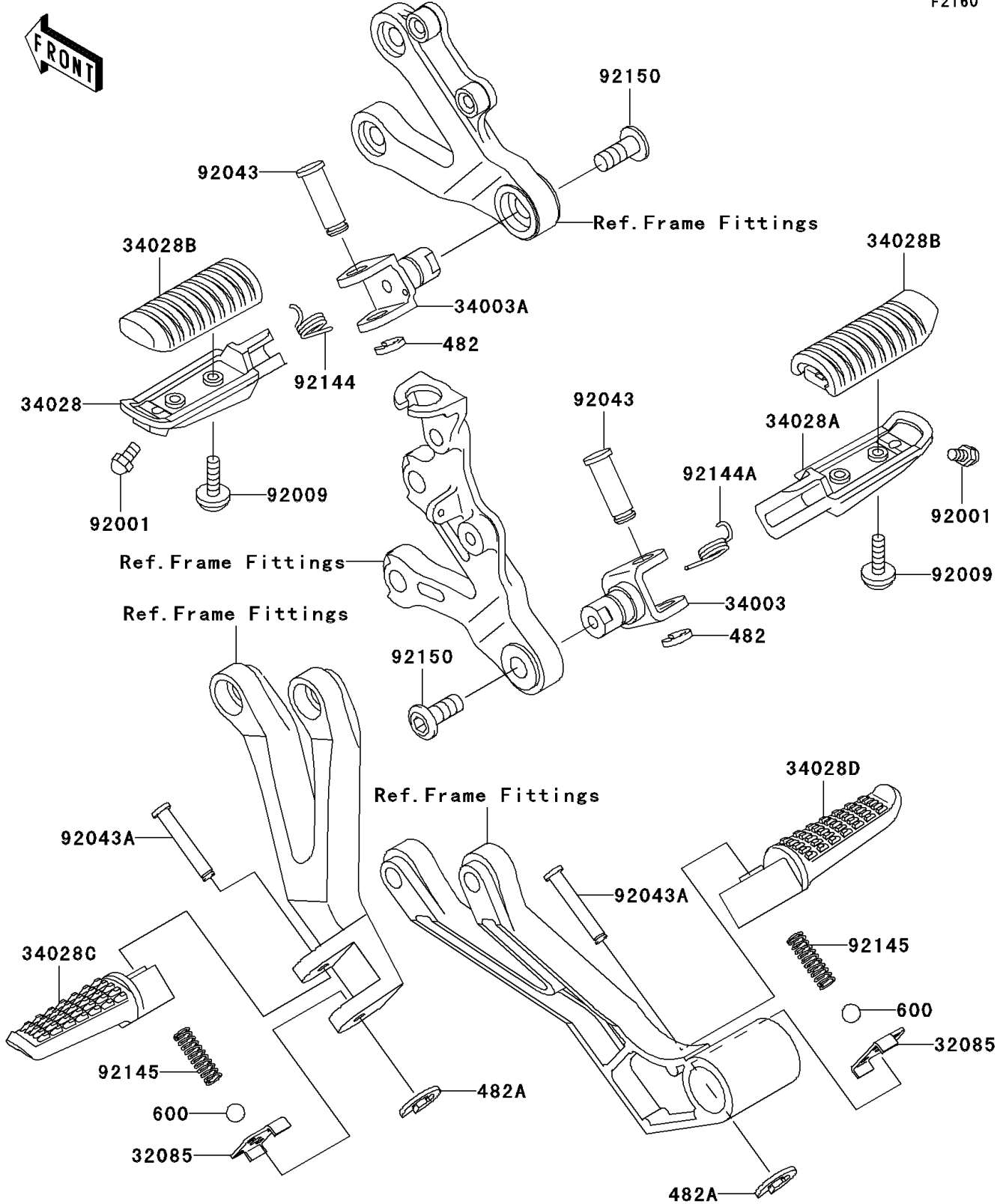


2001 Ninja® ZX™-6R PARTS DIAGRAM

Footrests

F2160



2001 Ninja® ZX™-6R PARTS LIST

Footrests

| ITEM NAME | PART NUMBER | QUANTITY |
|-------------------------------------|-------------|----------|
| CIRCLIP-TYPE-E,10MM (Ref # 482) | 482L0100 | 2 |
| CIRCLIP-TYPE-E,5MM (Ref # 482A) | 482L5000 | 2 |
| BALL-STEEL,1/4" (Ref # 600) | 600A0800 | 2 |
| STOPPER,REAR STEP (Ref # 32085) | 32085-1496 | 2 |
| HOLDER-STEP (Ref # 34003) | 34003-1327 | 1 |
| HOLDER-STEP (Ref # 34003A) | 34003-1474 | 1 |
| STEP,FR,LH (Ref # 34028) | 34028-1428 | 1 |
| STEP,FR,RH (Ref # 34028A) | 34028-1429 | 1 |
| STEP,FR,RUBBER (Ref # 34028B) | 34028-1430 | 2 |
| STEP,RR,LH (Ref # 34028C) | 34028-1480 | 1 |
| STEP,RR,RH (Ref # 34028D) | 34028-1481 | 1 |
| BOLT,BANK SENSOR (Ref # 92001) | 92001-1905 | 2 |
| SCREW,5X14 (Ref # 92009) | 92009-1404 | 4 |
| PIN,12X37 (Ref # 92043) | 92043-1144 | 2 |
| PIN,6X40 (Ref # 92043A) | 92043-1595 | 2 |
| SPRING,STEP RETURN,LH (Ref # 92144) | 92144-1567 | 1 |
| SPRING,STEP RETURN (Ref # 92144A) | 92144-1568 | 1 |
| SPRING (Ref # 92145) | 92145-1319 | 2 |
| BOLT,SOCKET,10X25 (Ref # 92150) | 92150-1268 | 2 |