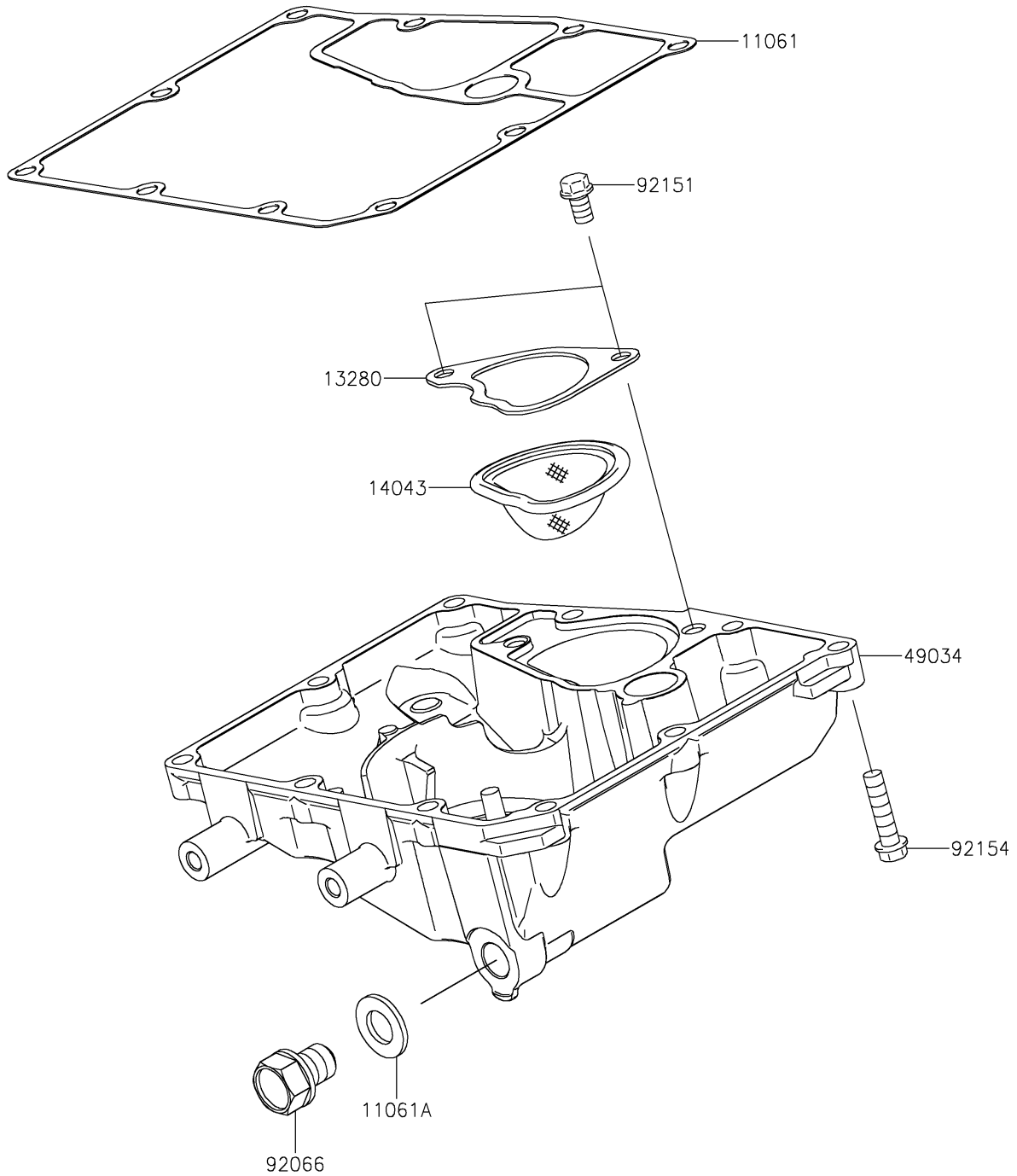


2025 Vulcan S CAFÉ PARTS DIAGRAM

Oil Pan

E1434



2025 Vulcan S CAFÉ PARTS LIST

Oil Pan

| ITEM NAME | PART NUMBER | QUANTITY |
|---------------------------------------|-------------|----------|
| GASKET,OIL PAN (Ref # 11061) | 11061-0167 | 1 |
| GASKET,12X22X2 (Ref # 11061A) | 11061-0417 | 1 |
| HOLDER,OIL FILTER (Ref # 13280) | 13280-0134 | 1 |
| FILTER,OIL(SCAVENGE) (Ref # 14043) | 14043-0008 | 1 |
| PAN-OIL (Ref # 49034) | 49034-0561 | 1 |
| PLUG,OIL DRAIN,12X15 (Ref # 92066) | 92066-0767 | 1 |
| BOLT,FLANGED-SMALL,6X10 (Ref # 92151) | 92151-1389 | 2 |
| BOLT,FLANGED,6X25 (Ref # 92154) | 92154-0819 | 10 |