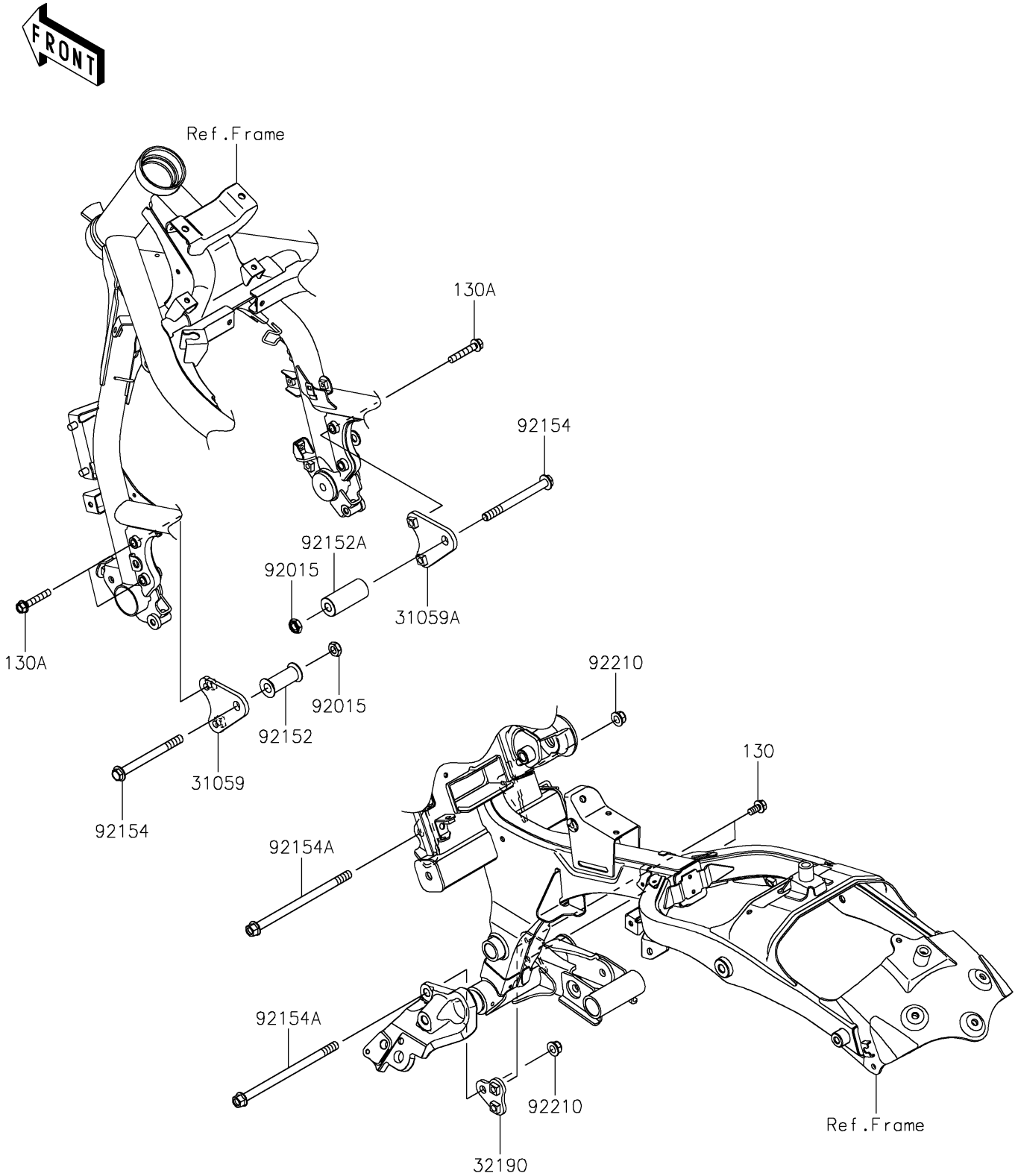


# 2024 VULCAN® S CAFE ABS PARTS DIAGRAM

Engine Mount

F2122



## 2024 VULCAN® S CAFE ABS PARTS LIST

### Engine Mount

| ITEM NAME                             | PART NUMBER | QUANTITY |
|---------------------------------------|-------------|----------|
| BRACKET-COMP-ENGINE,LH (Ref # 31059)  | 31059-0010  | 1        |
| BRACKET-COMP-ENGINE,RH (Ref # 31059A) | 31059-0011  | 1        |
| BRACKET-ENGINE,RR,RH (Ref # 32190)    | 32190-0560  | 1        |
| NUT,LOCK,10MM,BLACK (Ref # 92015)     | 92015-1188  | 2        |
| COLLAR,11X26X50.8 (Ref # 92152)       | 92152-0963  | 1        |
| COLLAR,11X26X60.7 (Ref # 92152A)      | 92152-1897  | 1        |
| BOLT,FLANGED,10X110 (Ref # 92154)     | 92154-0716  | 2        |
| BOLT,FLANGED,10X170 (Ref # 92154A)    | 92154-0840  | 2        |
| NUT,LOCK,FLANGED,10MM (Ref # 92210)   | 92210-1081  | 2        |
| BOLT-FLANGED,8X16 (Ref # 130)         | 130BA0816   | 2        |
| BOLT-FLANGED,8X45 (Ref # 130A)        | 130BA0845   | 4        |