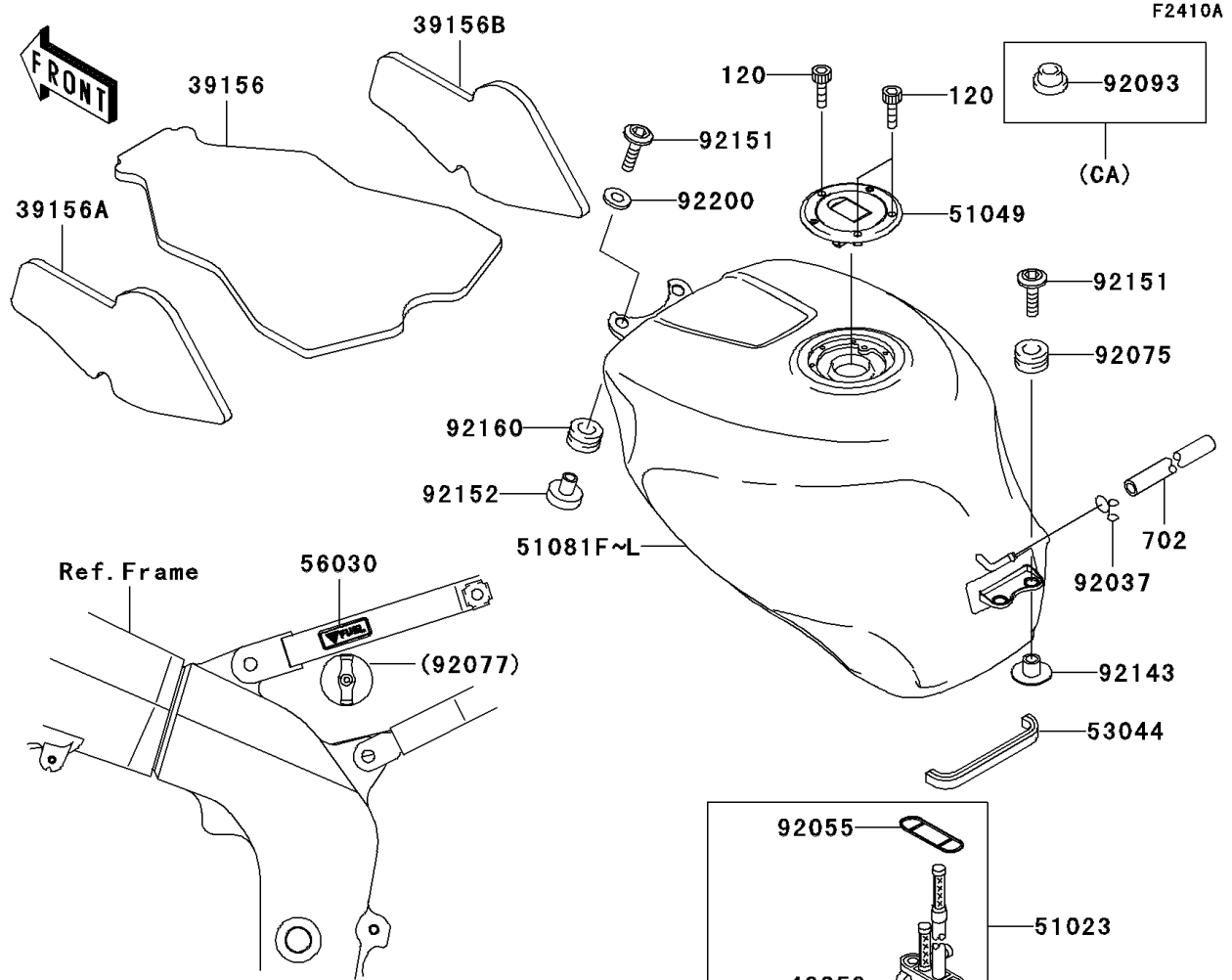
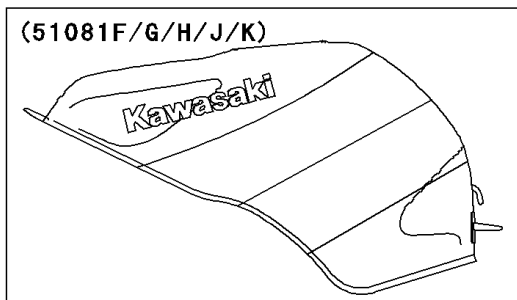
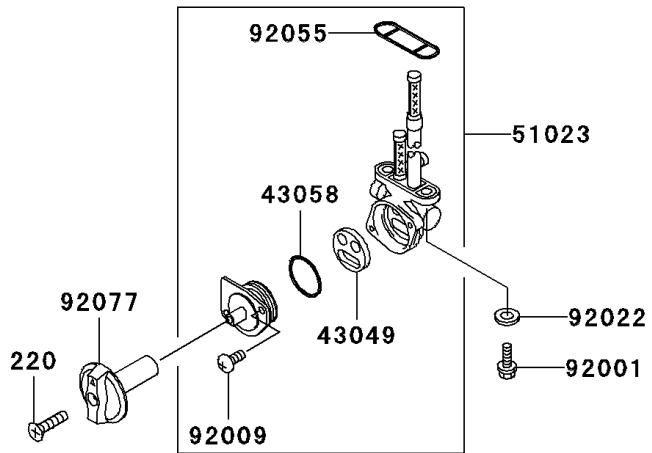


2001 Ninja® ZX™-6R PARTS DIAGRAM

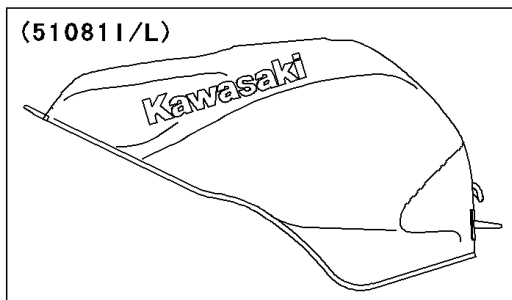
Fuel Tank(ZX600-J2)



(51081F/J)	Green/Black
(51081G/K)	Yellow/Black
(51081H)	Blue/Blue
(51081I/L)	C. L. Blue



WD



WD

2001 Ninja® ZX™-6R PARTS LIST

Fuel Tank(ZX600-J2)

ITEM NAME	PART NUMBER	QUANTITY
PAD,FUEL TANK,CNT (Ref # 39156)	39156-1612	1
PAD,FUEL TANK,LH (Ref # 39156A)	39156-1613	1
PAD,FUEL TANK,RH (Ref # 39156B)	39156-1614	1
PACKING,TAP VALVE (Ref # 43049)	43049-1075	1
RING,TAP LEVER (Ref # 43058)	43058-1083	1
TAP-ASSY,FUEL (Ref # 51023)	51023-1237	1
CAP-TANK,FUEL (Ref # 51049)	51049-1120	1
TRIM (Ref # 53044)	53044-1296	1
LABEL,FUEL TAP (Ref # 56030)	56030-1195	1
BOLT,6X25 (Ref # 92001)	92001-1524	2
SCREW,3X8 (Ref # 92009)	92009-1386	2
WASHER,6.2X11X1.5 (Ref # 92022)	92022-183	2
CLAMP,TUBE (Ref # 92037)	92037-010	1
RING-O,FUEL TAP PACKING (Ref # 92055)	92055-1112	1
DAMPER (Ref # 92075)	92075-209	2
KNOB,FUEL TAP (Ref # 92077)	92077-1123	1
BOLT-SOCKET (Ref # 120)	120S0516	3
SCREW-PAN-CROS (Ref # 220)	220C0416	1
TUBE-RUBBER,6X520 (Ref # 702)	702A06520	1
COLLAR (Ref # 92143)	92143-1515	2
BOLT,SOCKET,6X35 (Ref # 92151)	92151-1835	4
COLLAR (Ref # 92152)	92152-1266	2
DAMPER (Ref # 92160)	92160-1162	2
WASHER,6.5X22X1.6 (Ref # 92200)	92200-1087	2
TANK-COMP-FUEL,GREEN/BLACK (Ref # 51081F)	51081-5399-3I	1
TANK-COMP-FUEL,YELLOW/BLACK (Ref # 51081G)	51081-5400-4I	1
TANK-COMP-FUEL,BLUE/BLUE (Ref # 51081H)	51081-5401-5I	1
TANK-COMP-FUEL,C.L.BLUE (Ref # 51081I)	51081-5402-E1	1
TANK-COMP-FUEL,GREEN/BLACK (Ref # 51081J)	51081-5408-3I	1

2001 Ninja® ZX™-6R PARTS LIST

Fuel Tank(ZX600-J2)

ITEM NAME	PART NUMBER	QUANTITY
TANK-COMP-FUEL,YELLOW/BLACK (Ref # 51081K)	51081-5410-4I	1
TANK-COMP-FUEL,C.L.BLUE (Ref # 51081L)	51081-5413-E1	1
SEAL,FUEL TANK CAP (Ref # 92093)	92093-1030	1