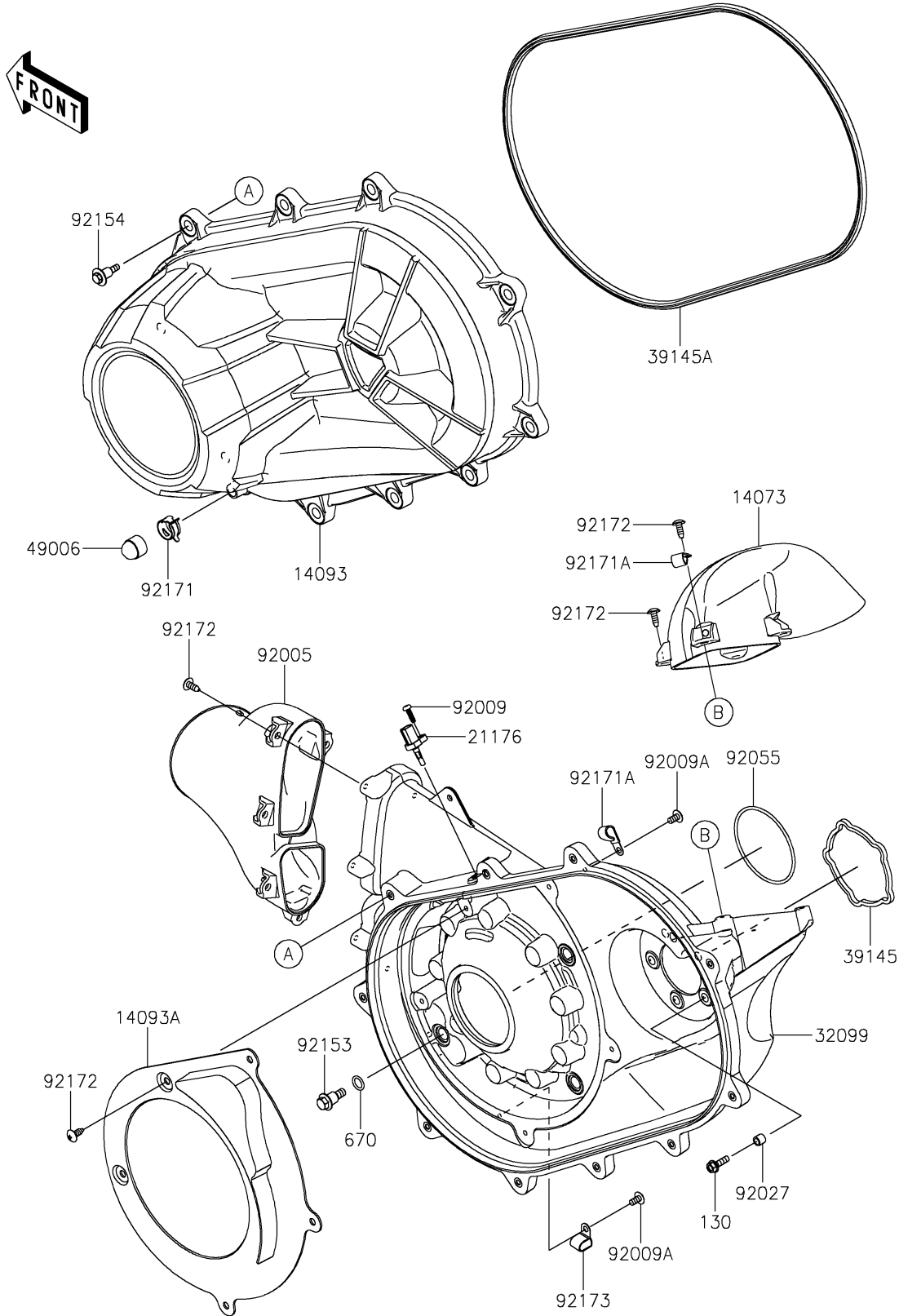


2025 Ridge Ranch Edition PARTS DIAGRAM

Converter Cover

E1393



2025 Ridge Ranch Edition PARTS LIST

Converter Cover

ITEM NAME	PART NUMBER	QUANTITY
DUCT,EXHAUST (Ref # 14073)	14073-1915	1
COVER,CVT (Ref # 14093)	14093-1453	1
COVER,AIR GUIDE (Ref # 14093A)	14093-1454	1
SENSOR,AIR TEMPERATURE (Ref # 21176)	21176-0048	1
CASE,CVT (Ref # 32099)	32099-0829	1
TRIM-SEAL (Ref # 39145)	39145-0714	1
TRIM-SEAL,CVT COVER (Ref # 39145A)	39145-0760	1
BOOT,DRAIN (Ref # 49006)	49006-3718	1
FITTING,INTAKE (Ref # 92005)	92005-1450	1
SCREW,TAPPING,5X16 (Ref # 92009)	92009-1264	1
SCREW,6X12 (Ref # 92009A)	92009-1480	2
COLLAR,6.8X10X8.5 (Ref # 92027)	92027-129	5
RING-O,84.4X3.1 (Ref # 92055)	92055-0916	1
BOLT,8X26.5 (Ref # 92153)	92153-0594	4
BOLT,CVT COVER (Ref # 92154)	92154-1522	10
CLAMP (Ref # 92171)	92171-0329	1
CLAMP (Ref # 92171A)	92171-0739	2
SCREW,6X16 (Ref # 92172)	92172-0284	14
CLAMP (Ref # 92173)	92173-2439	1
BOLT-FLANGED,6X20 (Ref # 130)	130BA0620	5
O RING,12MM (Ref # 670)	670D2012	4