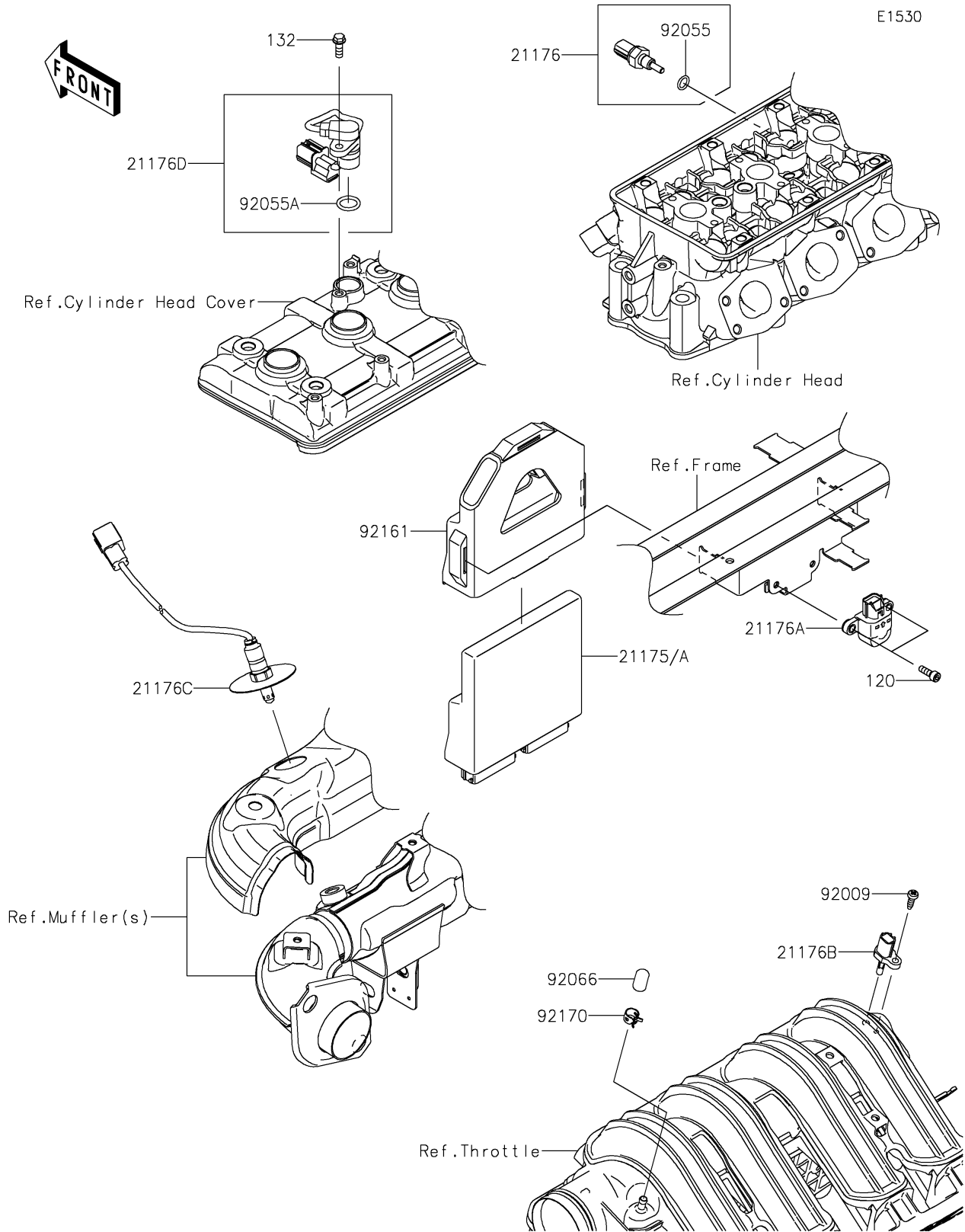


2025 Ridge Ranch Edition PARTS DIAGRAM

Fuel Injection



2025 Ridge Ranch Edition PARTS LIST

Fuel Injection

ITEM NAME	PART NUMBER	QUANTITY
CONTROL UNIT-ELECTRONIC (Ref # 21175A)	21175-1893	1
SENSOR,WATER TEMP (Ref # 21176)	21176-0009	1
SENSOR,VEHICLE-DOWN (Ref # 21176A)	21176-0026	1
SENSOR,AIR TEMPERATURE (Ref # 21176B)	21176-0048	1
SENSOR,OXYGEN (Ref # 21176C)	21176-0935	1
SENSOR,CAM ANGLE (Ref # 21176D)	21176-1077	1
SCREW,TAPPING,5X16 (Ref # 92009)	92009-1984	1
RING-O,9.5X1.9 (Ref # 92055)	92055-0016	1
RING-O (Ref # 92055A)	92055-1639	1
DAMPER,ECU (Ref # 92161)	92161-2495	1
BOLT-SOCKET,5X16 (Ref # 120)	120CA0516	2
BOLT-FLANGED-SMALL,6X16 (Ref # 132)	132BA0616	1
CONTROL UNIT-ELECTRONIC (Ref # 21175)	21175-1892	1
PLUG (Ref # 92066)	92066-0862	1
CLAMP (Ref # 92170)	92170-2043	1