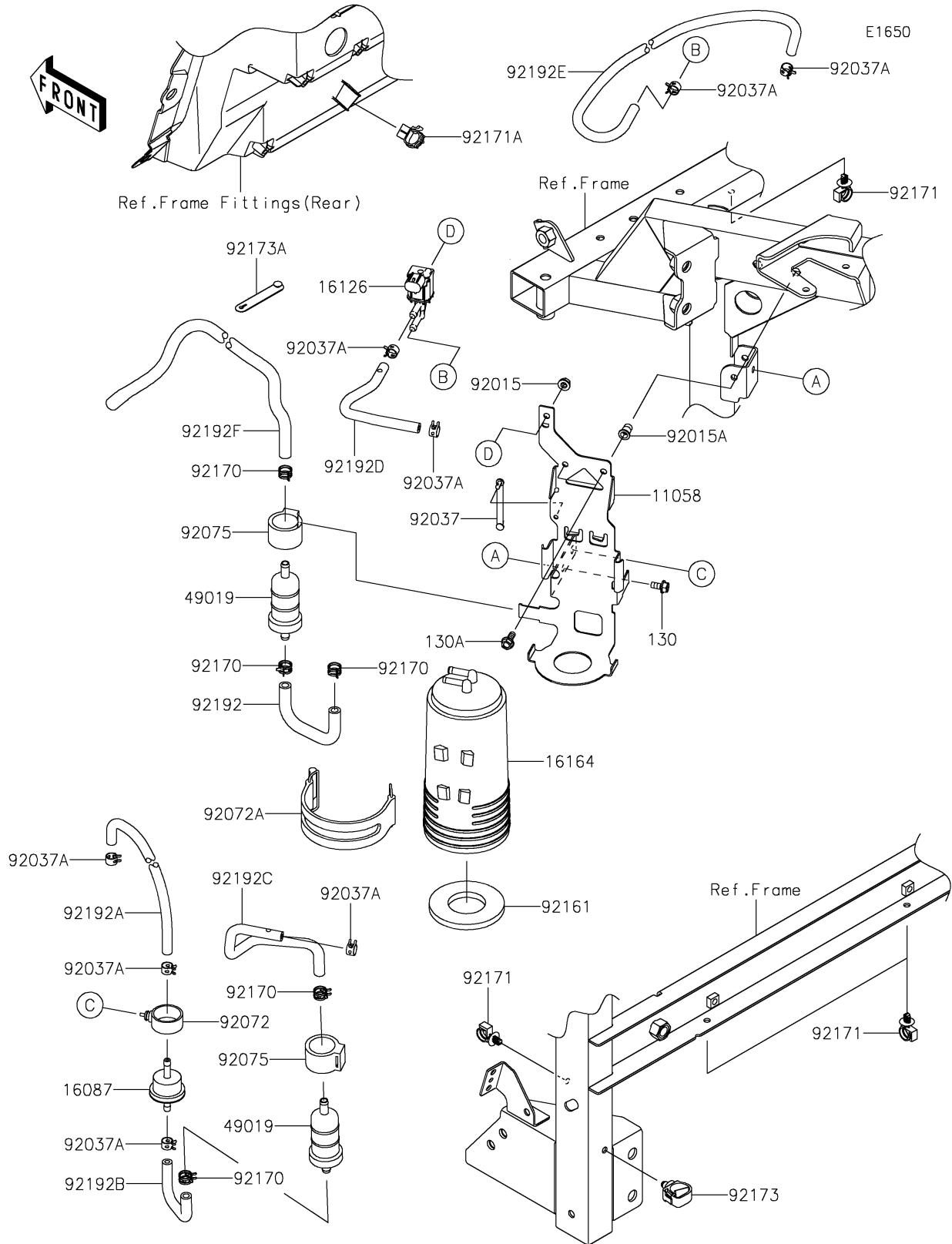


2024 RIDGE® RANCH EDITION PARTS DIAGRAM

Fuel Evaporative System(CA)



2024 RIDGE® RANCH EDITION PARTS LIST

Fuel Evaporative System(CA)

| ITEM NAME | PART NUMBER | QUANTITY |
|---|-------------|----------|
| BRACKET,CANISTER (Ref # 11058) | 11058-0557 | 1 |
| VALVE-CHECK (Ref # 16087) | 16087-0011 | 1 |
| VALVE,SOLENOID (Ref # 16126) | 16126-0705 | 1 |
| CANISTER (Ref # 16164) | 16164-0016 | 1 |
| FILTER-FUEL (Ref # 49019) | 49019-0032 | 2 |
| NUT,FLANGED,6MM (Ref # 92015) | 92015-1367 | 1 |
| NUT,POP,6MM,L=15 (Ref # 92015A) | 92015-1791 | 2 |
| CLAMP,SPEED,L=58 (Ref # 92037) | 92037-1163 | 1 |
| CLAMP (Ref # 92037A) | 92037-2113 | 8 |
| BAND (Ref # 92072) | 92072-0852 | 1 |
| BAND,L=168 (Ref # 92072A) | 92072-1306 | 1 |
| DAMPER,FUEL FILTER (Ref # 92075) | 92075-1853 | 2 |
| DAMPER (Ref # 92161) | 92161-1843 | 1 |
| CLAMP (Ref # 92170) | 92170-2082 | 5 |
| CLAMP (Ref # 92171) | 92171-0453 | 4 |
| CLAMP,EDGE CLIP (Ref # 92171A) | 92171-1722 | 1 |
| CLAMP (Ref # 92173) | 92173-0861 | 1 |
| CLAMP (Ref # 92173A) | 92173-2199 | 1 |
| TUBE,FILTER-CANISTER (Ref # 92192) | 92192-1665 | 1 |
| TUBE,TANK-VALVE CHECK (Ref # 92192A) | 92192-2653 | 1 |
| TUBE,VALVE CHECK-FILTER AIR (Ref # 92192B) | 92192-2654 | 1 |
| TUBE,FILTER AIR-CANISTER (Ref # 92192C) | 92192-2655 | 1 |
| TUBE,CANISTER-PURGE VALVE (Ref # 92192D) | 92192-2656 | 1 |
| TUBE,PURGE VALVE-IN MANIFOLD (Ref # 92192E) | 92192-2657 | 1 |
| TUBE,FILTER AIR-OUTSIDE (Ref # 92192F) | 92192-2658 | 1 |
| BOLT-FLANGED,6X12 (Ref # 130) | 130BA0612 | 1 |
| BOLT-FLANGED,6X16 (Ref # 130A) | 130BA0616 | 2 |