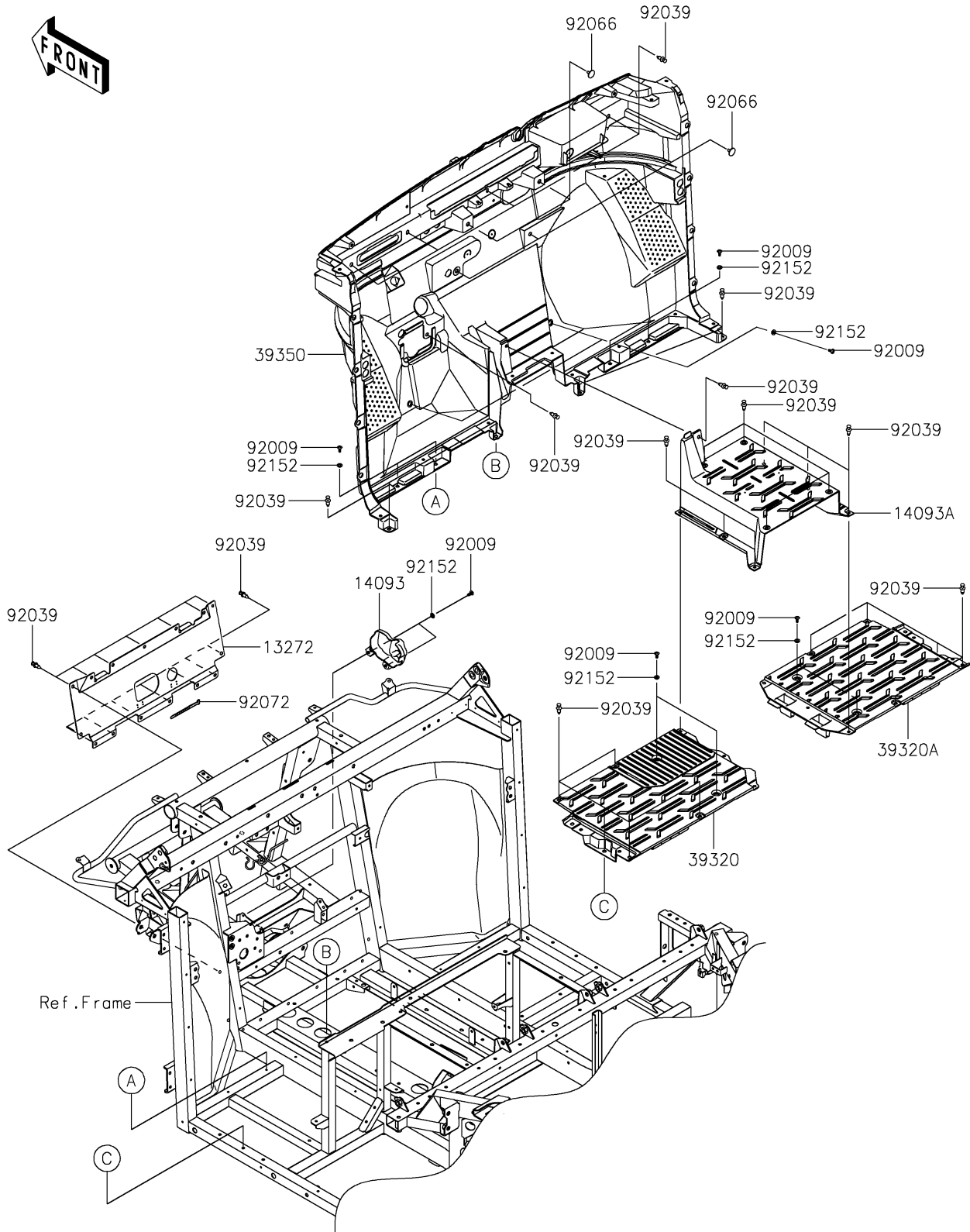


2024 Ridge Ranch Edition PARTS DIAGRAM

Frame Fittings

F2130



2024 Ridge Ranch Edition PARTS LIST

Frame Fittings

ITEM NAME	PART NUMBER	QUANTITY
PLATE,FR TUNNEL (Ref # 13272)	13272-4216	1
COVER,FR GEAR,SIDE (Ref # 14093)	14093-0839	1
COVER,TUNNEL,CNT (Ref # 14093A)	14093-1330	1
FLOOR,PANEL,LH (Ref # 39320)	39320-0001	1
FLOOR,PANEL,RH (Ref # 39320A)	39320-0002	1
PANEL,FR (Ref # 39350)	39350-0002	1
SCREW,TAPPING,6X16 (Ref # 92009)	92009-1166	12
RIVET (Ref # 92039)	92039-0776	45
PLUG,6X17 (Ref # 92066)	92066-0751	4
BAND,L=123 (Ref # 92072)	92072-030	2
COLLAR,6.3X9.5X4.1 (Ref # 92152)	92152-1571	12