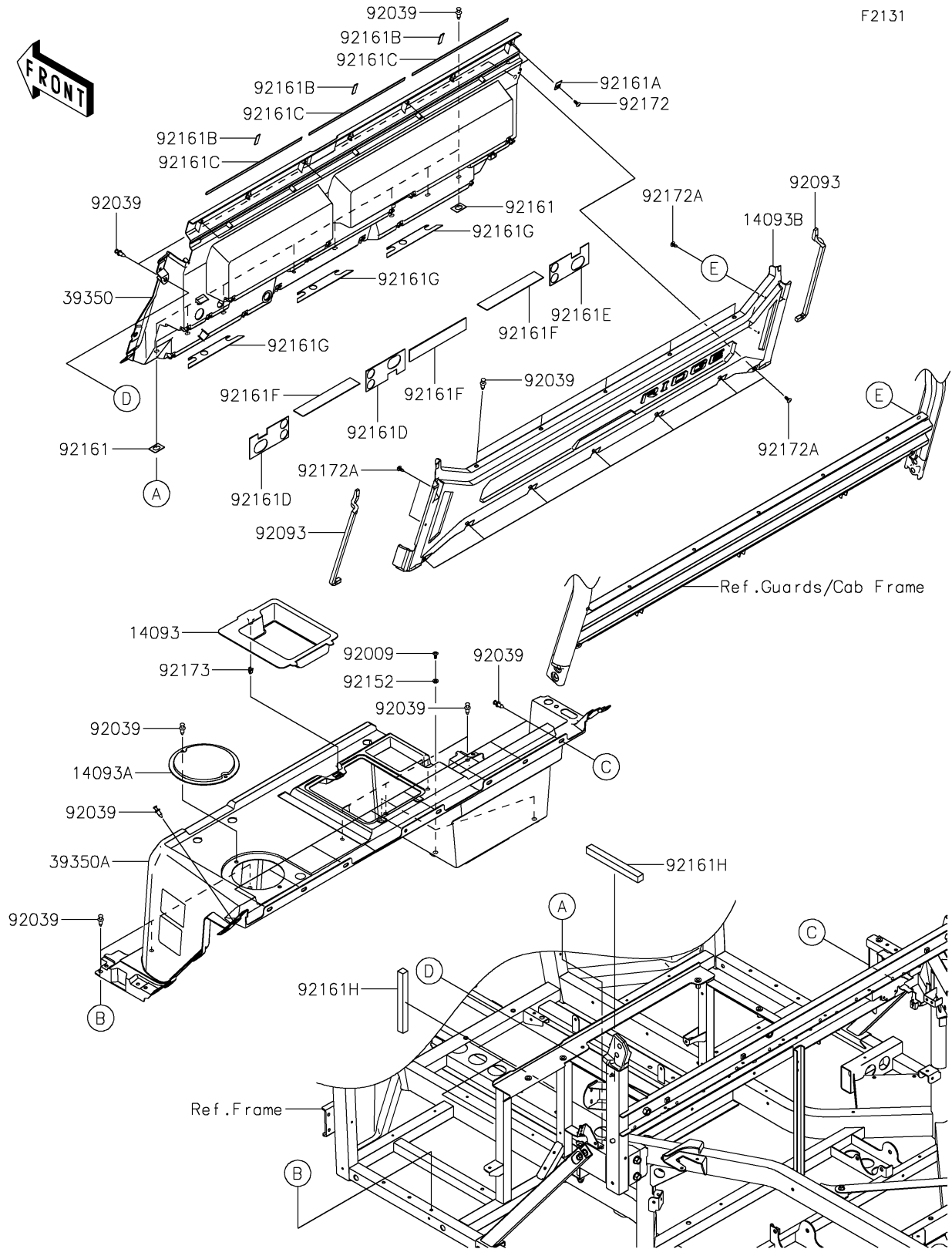


2025 Ridge Ranch Edition PARTS DIAGRAM

Frame Fittings



2025 Ridge Ranch Edition PARTS LIST

Frame Fittings

ITEM NAME	PART NUMBER	QUANTITY
COVER,TRAY (Ref # 14093)	14093-1333	1
COVER,HOLE (Ref # 14093A)	14093-1334	1
COVER,RR (Ref # 14093B)	14093-1353	1
PANEL,BACK (Ref # 39350)	39350-0003	1
PANEL,UNDER SEAT (Ref # 39350A)	39350-0004	1
SCREW,TAPPING,6X16 (Ref # 92009)	92009-1166	3
RIVET (Ref # 92039)	92039-0776	33
SEAL,10X10X395 (Ref # 92093)	92093-0780	2
COLLAR,6.3X9.5X4.1 (Ref # 92152)	92152-1571	3
DAMPER (Ref # 92161)	92161-2613	2
DAMPER (Ref # 92161A)	92161-2626	4
DAMPER,12X36X1.5 (Ref # 92161B)	92161-2627	3
DAMPER,10X370X1.5 (Ref # 92161C)	92161-2628	3
DAMPER (Ref # 92161D)	92161-2629	2
DAMPER (Ref # 92161E)	92161-2630	1
DAMPER,38X220X1.5 (Ref # 92161F)	92161-2631	3
DAMPER (Ref # 92161G)	92161-2632	3
DAMPER,20X200X20 (Ref # 92161H)	92161-2633	3
SCREW,6X16 (Ref # 92172)	92172-0284	4
SCREW,TAPPING,6X16 (Ref # 92172A)	92172-1470	11
CLAMP (Ref # 92173)	92173-1423	1