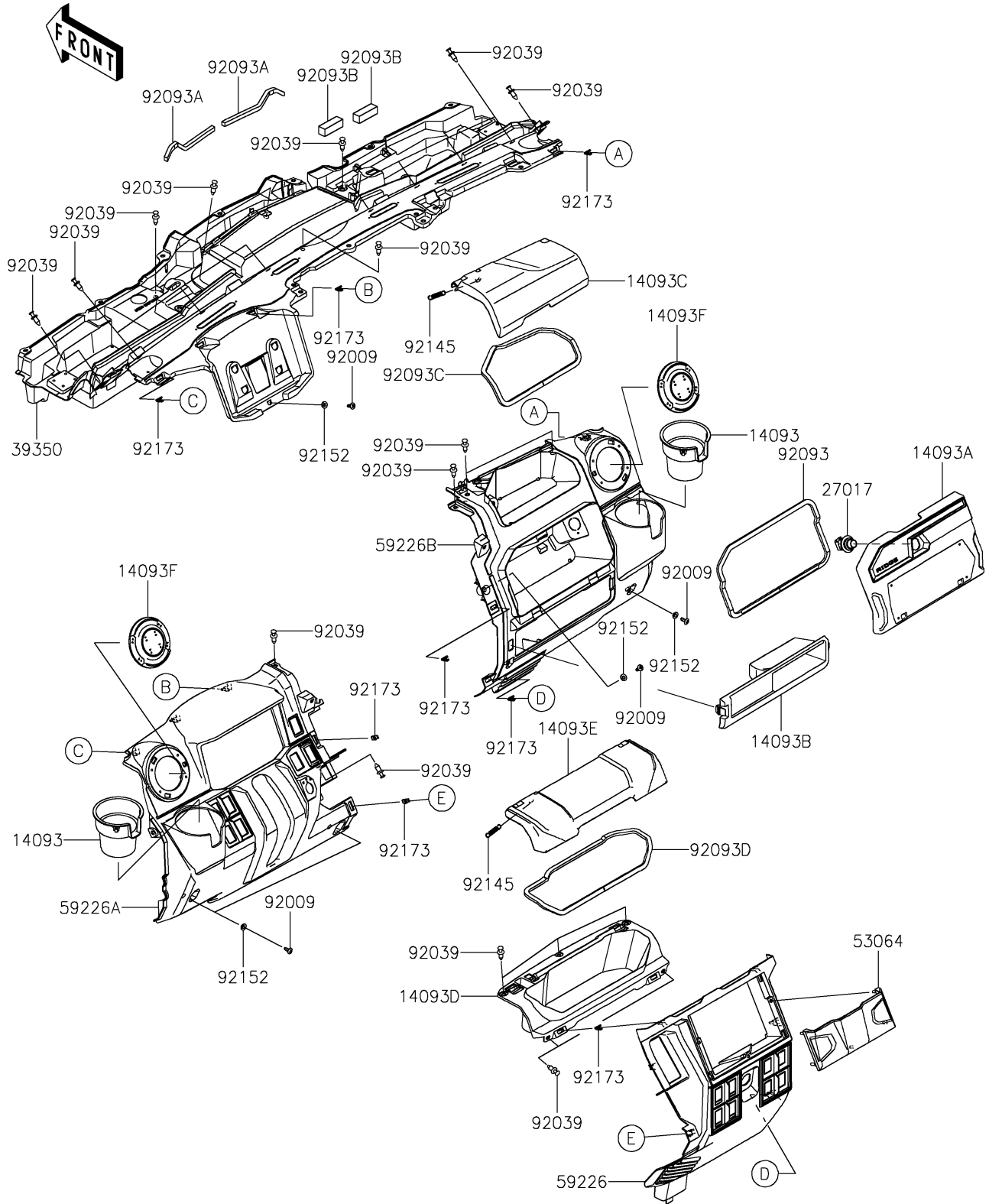


# 2024 RIDGE® RANCH EDITION PARTS DIAGRAM

Front Box

F2135



## 2024 RIDGE® RANCH EDITION PARTS LIST

### Front Box

ITEM NAME	PART NUMBER	QUANTITY
COVER,CUP HOLDER (Ref # 14093)	14093-1329	2
COVER,GLOVE BOX (Ref # 14093A)	14093-1337	1
COVER,STORAGE BOX,SIDE,LWR (Ref # 14093B)	14093-1338	1
COVER,STORAGE BOX,SIDE,UPP,BRN (Ref # 14093C)	14093-1339-72K	1
COVER,STORAGE BOX,CNT,UPP,IN (Ref # 14093D)	14093-1340	1
COVER,STORAGE BOX,CNT,UPP,OUT (Ref # 14093E)	14093-1341	1
COVER,LOUVER HOLE (Ref # 14093F)	14093-1342	2
LOCK,PUSH (Ref # 27017)	27017-0572	1
PANEL,DASHBOARD (Ref # 39350)	39350-0001	1
NET-CARGO (Ref # 53064)	53064-0017	1
PANEL-CONTROL,CNT (Ref # 59226)	59226-0762	1
PANEL-CONTROL,LH,D.BROWN (Ref # 59226A)	59226-0763-72K	1
PANEL-CONTROL,RH,D.BROWN (Ref # 59226B)	59226-0764-72K	1
SCREW,TAPPING,6X16 (Ref # 92009)	92009-1166	6
RIVET (Ref # 92039)	92039-0776	24
SEAL (Ref # 92093)	92093-0776	1
SEAL,10X10X110 (Ref # 92093A)	92093-0785	2
SEAL,10X10X60 (Ref # 92093B)	92093-0786	2
SEAL,10X6X705 (Ref # 92093C)	92093-0795	1
SEAL,10X6X835 (Ref # 92093D)	92093-0796	1
SPRING,REAR BRAKE (Ref # 92145)	92145-2219	2
COLLAR,6.3X9.5X4.1 (Ref # 92152)	92152-1571	6
CLAMP (Ref # 92173)	92173-1423	10