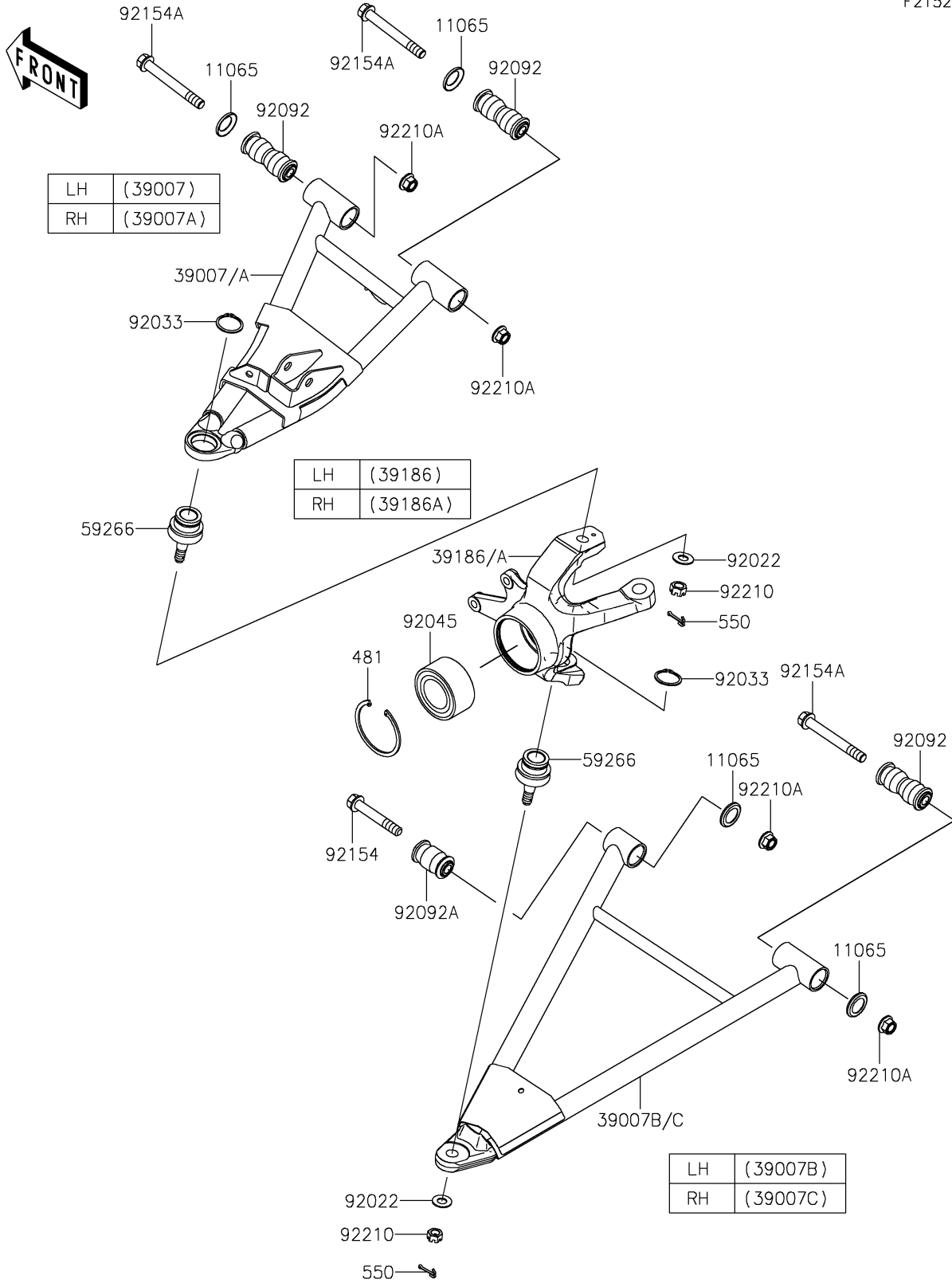


2024 Ridge Ranch Edition PARTS DIAGRAM

Front Suspension

F2152



2024 Ridge Ranch Edition PARTS LIST

Front Suspension

ITEM NAME	PART NUMBER	QUANTITY
CAP,ARM (Ref # 11065)	11065-0838	8
ARM-SUSP,FR,UPP,LH,BLACK (Ref # 39007)	39007-0487-10	1
ARM-SUSP,FR,UPP,RH,BLACK (Ref # 39007A)	39007-0488-10	1
ARM-SUSP,FR,LWR,LH,BLACK (Ref # 39007B)	39007-0489-10	1
ARM-SUSP,FR,LWR,RH,BLACK (Ref # 39007C)	39007-0490-10	1
KNUCKLE,FR,LH (Ref # 39186)	39186-0335	1
KNUCKLE,FR,RH (Ref # 39186A)	39186-0336	1
JOINT-BALL (Ref # 59266)	59266-0711	4
WASHER (Ref # 92022)	92022-1831	4
RING-SNAP,C-TYPE,32MM (Ref # 92033)	92033-1262	4
BEARING-BALL,40X74X36 (Ref # 92045)	92045-0919	2
BUSHING-RUBBER,12X20X78 (Ref # 92092)	92092-0028	6
BUSHING-RUBBER (Ref # 92092A)	92092-0555	2
BOLT,FLANGED,12X76.5 (Ref # 92154)	92154-7079	2
BOLT,FLANGED,12X100 (Ref # 92154A)	92154-7081	6
NUT,CASTLE,12MM (Ref # 92210)	92210-0395	4
NUT,LOCK,FLANGED,12MM (Ref # 92210A)	92210-1931	8
CIRCLIP-TYPE-C (Ref # 481)	481J7500	2
PIN-COTTER,3.0X25 (Ref # 550)	550AA3025	4