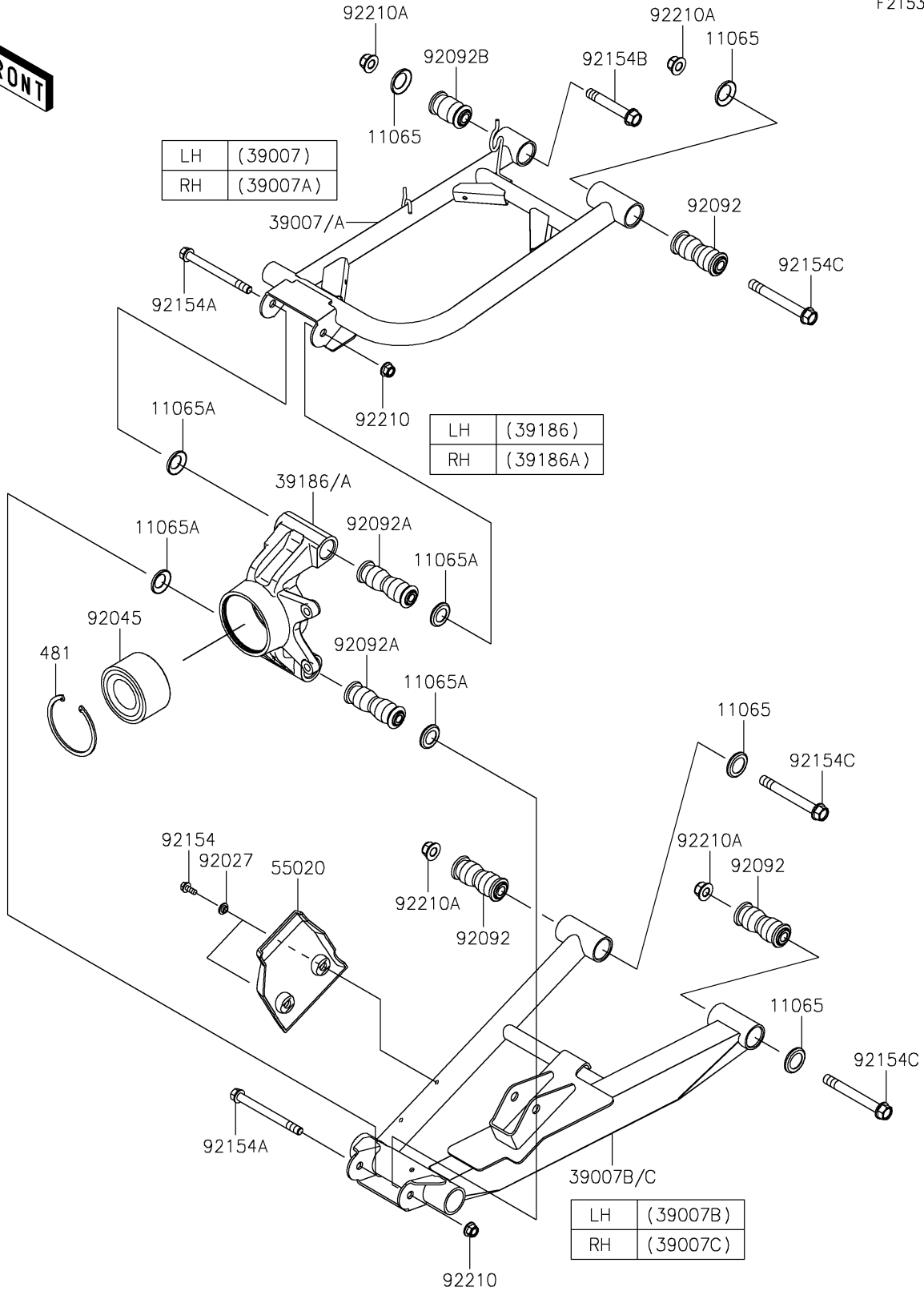


2025 Ridge Ranch Edition PARTS DIAGRAM

Rear Suspension

F2153



2025 Ridge Ranch Edition PARTS LIST

Rear Suspension

| ITEM NAME | PART NUMBER | QUANTITY |
|--|---------------|----------|
| CAP,ARM (Ref # 11065) | 11065-0838 | 8 |
| CAP (Ref # 11065A) | 11065-0849 | 8 |
| ARM-SUSP,RR,UPP,LH,BLACK (Ref # 39007) | 39007-0491-10 | 1 |
| ARM-SUSP,RR,UPP,RH,BLACK (Ref # 39007A) | 39007-0492-10 | 1 |
| ARM-SUSP,RR,LWR,LH,BLACK (Ref # 39007B) | 39007-0493-10 | 1 |
| ARM-SUSP,RR,LWR,RH,BLACK (Ref # 39007C) | 39007-0494-10 | 1 |
| KNUCKLE,RR,LH (Ref # 39186) | 39186-0337 | 1 |
| KNUCKLE,RR,RH (Ref # 39186A) | 39186-0338 | 1 |
| GUARD,RR CVJ (Ref # 55020) | 55020-0931 | 2 |
| COLLAR,L=4.6 (Ref # 92027) | 92027-1168 | 4 |
| BEARING-BALL,42X80X45 (Ref # 92045) | 92045-0960 | 2 |
| BUSHING-RUBBER,12X20X78 (Ref # 92092) | 92092-0028 | 6 |
| BUSHING-RUBBER,10.1X17X88 (Ref # 92092A) | 92092-0029 | 4 |
| BUSHING-RUBBER (Ref # 92092B) | 92092-0555 | 2 |
| BOLT,6X15.6 (Ref # 92154) | 92154-1250 | 4 |
| BOLT,FLANGED,10X110 (Ref # 92154A) | 92154-1353 | 4 |
| BOLT,FLANGED,12X76.5 (Ref # 92154B) | 92154-7079 | 2 |
| BOLT,FLANGED,12X100 (Ref # 92154C) | 92154-7081 | 6 |
| NUT,LOCK,FLANGED,10MM (Ref # 92210) | 92210-1081 | 4 |
| NUT,LOCK,FLANGED,12MM (Ref # 92210A) | 92210-1931 | 8 |
| CIRCLIP-TYPE-C,80MM (Ref # 481) | 481J8000 | 2 |