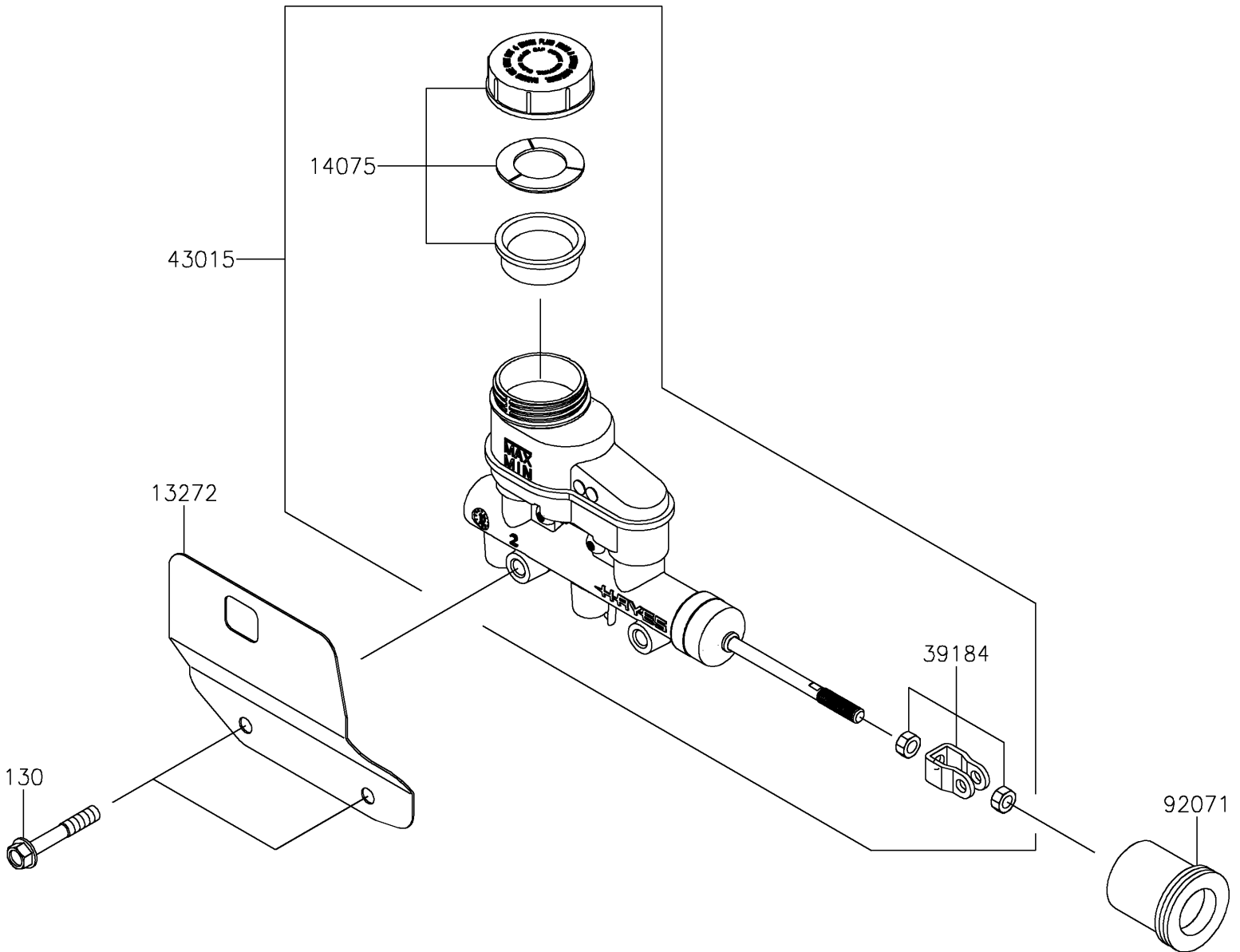


2024 Ridge Ranch Edition PARTS DIAGRAM

Master Cylinder

F2261



2024 Ridge Ranch Edition PARTS LIST

Master Cylinder

ITEM NAME	PART NUMBER	QUANTITY
PLATE,M/C BODY (Ref # 13272)	13272-4085	1
CAP-ASSY (Ref # 14075)	14075-0038	1
BRACKET-ASSY (Ref # 39184)	39184-0031	1
CYLINDER-ASSY-MASTER (Ref # 43015)	43015-0802	1
GROMMET (Ref # 92071)	92071-0832	1
BOLT-FLANGED,8X50 (Ref # 130)	130BA0850	2