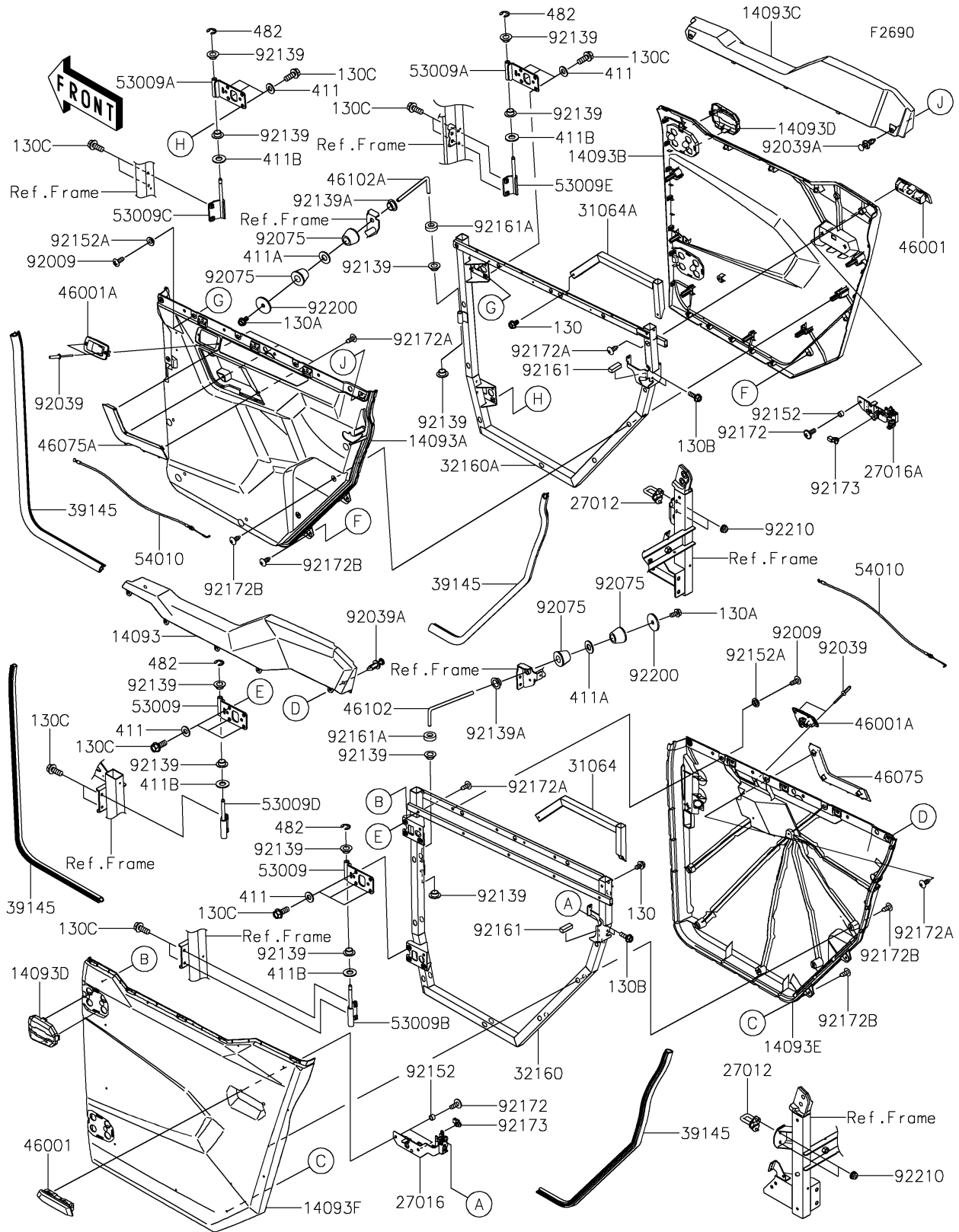


# 2024 Ridge Ranch Edition PARTS DIAGRAM

Door



## 2024 Ridge Ranch Edition PARTS LIST

### Door

ITEM NAME	PART NUMBER	QUANTITY
COVER,DOOR,LH,UPP (Ref # 14093)	14093-1316	1
COVER,FULL DOOR,RH,INNER (Ref # 14093A)	14093-1317	1
COVER,FULL DOOR,RH,OUTER,S.BLK (Ref # 14093B)	14093-1318-839	1
COVER,DOOR,RH,UPP (Ref # 14093C)	14093-1319	1
COVER,DOOR HINGE (Ref # 14093D)	14093-1320	4
COVER,FULL DOOR,LH,INNER (Ref # 14093E)	14093-1321	1
COVER,FULL DOOR,LH,OUTER,S.BLK (Ref # 14093F)	14093-1322-839	1
HOOK,DOOR (Ref # 27012)	27012-0860	2
LOCK-ASSY,DOOR,LH (Ref # 27016)	27016-0121	1
LOCK-ASSY,DOOR,RH (Ref # 27016A)	27016-0122	1
PIPE-COMP,DOOR,LH,UPP (Ref # 31064)	31064-0746	1
PIPE-COMP,DOOR,RH,UPP (Ref # 31064A)	31064-0747	1
FRAME-COMP,DOOR,LH (Ref # 32160)	32160-1980	1
FRAME-COMP,DOOR,RH (Ref # 32160A)	32160-1981	1
TRIM-SEAL (Ref # 39145)	39145-0797	4
HANDLE-ASSY,OUTER (Ref # 46001)	46001-0017	2
HANDLE-ASSY,DOOR,INNER (Ref # 46001A)	46001-0026	2
GRIP,DOOR,INNER,LH (Ref # 46075)	46075-0665	1
GRIP,DOOR,INNER,RH (Ref # 46075A)	46075-0666	1
ROD,DOOR,LH (Ref # 46102)	46102-0674	1
ROD,DOOR,RH (Ref # 46102A)	46102-0682	1
HINGE,DOOR,LH (Ref # 53009)	53009-0313	2
HINGE,DOOR,RH (Ref # 53009A)	53009-0314	2
HINGE,DOOR,LH,LWR (Ref # 53009B)	53009-0315	1
HINGE,DOOR,RH,LWR (Ref # 53009C)	53009-0316	1
HINGE,DOOR,LH,UPP (Ref # 53009D)	53009-0317	1
HINGE,DOOR,RH,UPP (Ref # 53009E)	53009-0318	1
CABLE,DOOR HANDLE (Ref # 54010)	54010-0653	2
SCREW,TAPPING,6X16 (Ref # 92009)	92009-1166	6

## 2024 Ridge Ranch Edition PARTS LIST

Door

ITEM NAME	PART NUMBER	QUANTITY
RIVET,4.0X17.5 (Ref # 92039)	92039-0703	4
RIVET (Ref # 92039A)	92039-0776	4
DAMPER,HANDLE HOLDER (Ref # 92075)	92075-039	4
BUSHING (Ref # 92139)	92139-0230	12
BUSHING (Ref # 92139A)	92139-1241	2
COLLAR,6.5X8.5X5.5 (Ref # 92152)	92152-0612	4
COLLAR,6.3X9.5X4.1 (Ref # 92152A)	92152-1571	6
DAMPER,15X45X13 (Ref # 92161)	92161-2638	2
DAMPER,10X20X6 (Ref # 92161A)	92161-2745	2
SCREW,6X16 (Ref # 92172)	92172-0236	4
SCREW,6X16 (Ref # 92172A)	92172-0284	16
SCREW,TAPPING,6X16 (Ref # 92172B)	92172-1470	18
CLAMP (Ref # 92173)	92173-2863	2
WASHER (Ref # 92200)	92200-2144	2
NUT,LOCK,FLANGED,6MM (Ref # 92210)	92210-0303	4
BOLT-FLANGED,6X10 (Ref # 130)	130BA0610	4
BOLT-FLANGED,6X12 (Ref # 130A)	130BA0612	2
BOLT-FLANGED,6X18 (Ref # 130B)	130BA0618	4
BOLT-FLANGED,8X20 (Ref # 130C)	130BA0820	20
WASHER-PLAIN,8MM (Ref # 411)	411AA0800	12
WASHER-PLAIN,10MM (Ref # 411A)	411AA1000	2
WASHER-PLAIN,10MM,BLACK (Ref # 411B)	411AB1000	4
CIRCLIP-TYPE-E,8MM (Ref # 482)	482EB8000	4