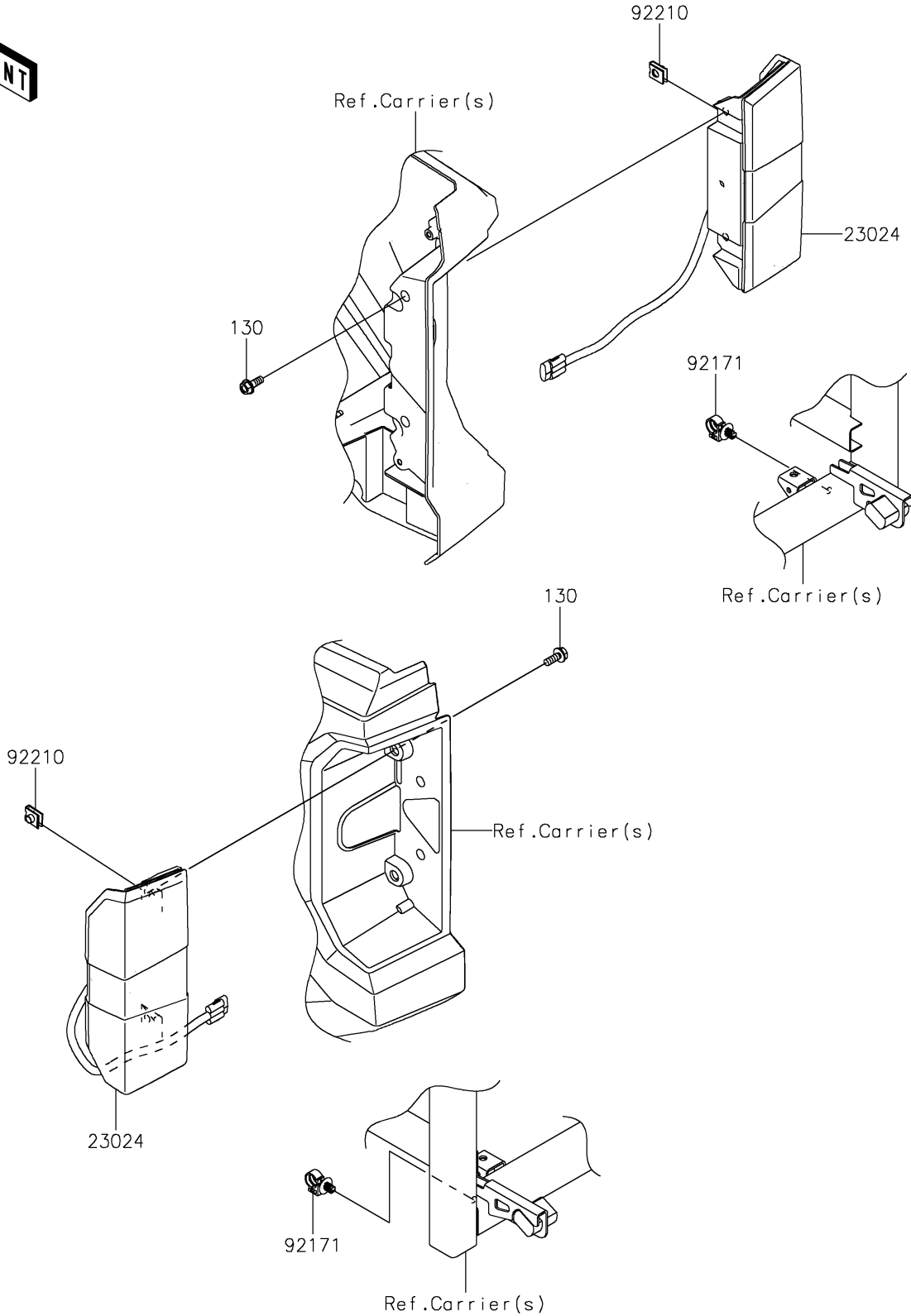


2025 RIDGE® RANCH EDITION PARTS DIAGRAM

Taillight(s)

F2720



2025 RIDGE® RANCH EDITION PARTS LIST

Taillight(s)

ITEM NAME	PART NUMBER	QUANTITY
LAMP-ASSY-TAIL,LED (Ref # 23024)	23024-0006	2
CLAMP (Ref # 92171)	92171-0453	2
NUT (Ref # 92210)	92210-1125	4
BOLT-FLANGED,6X16 (Ref # 130)	130BA0616	4