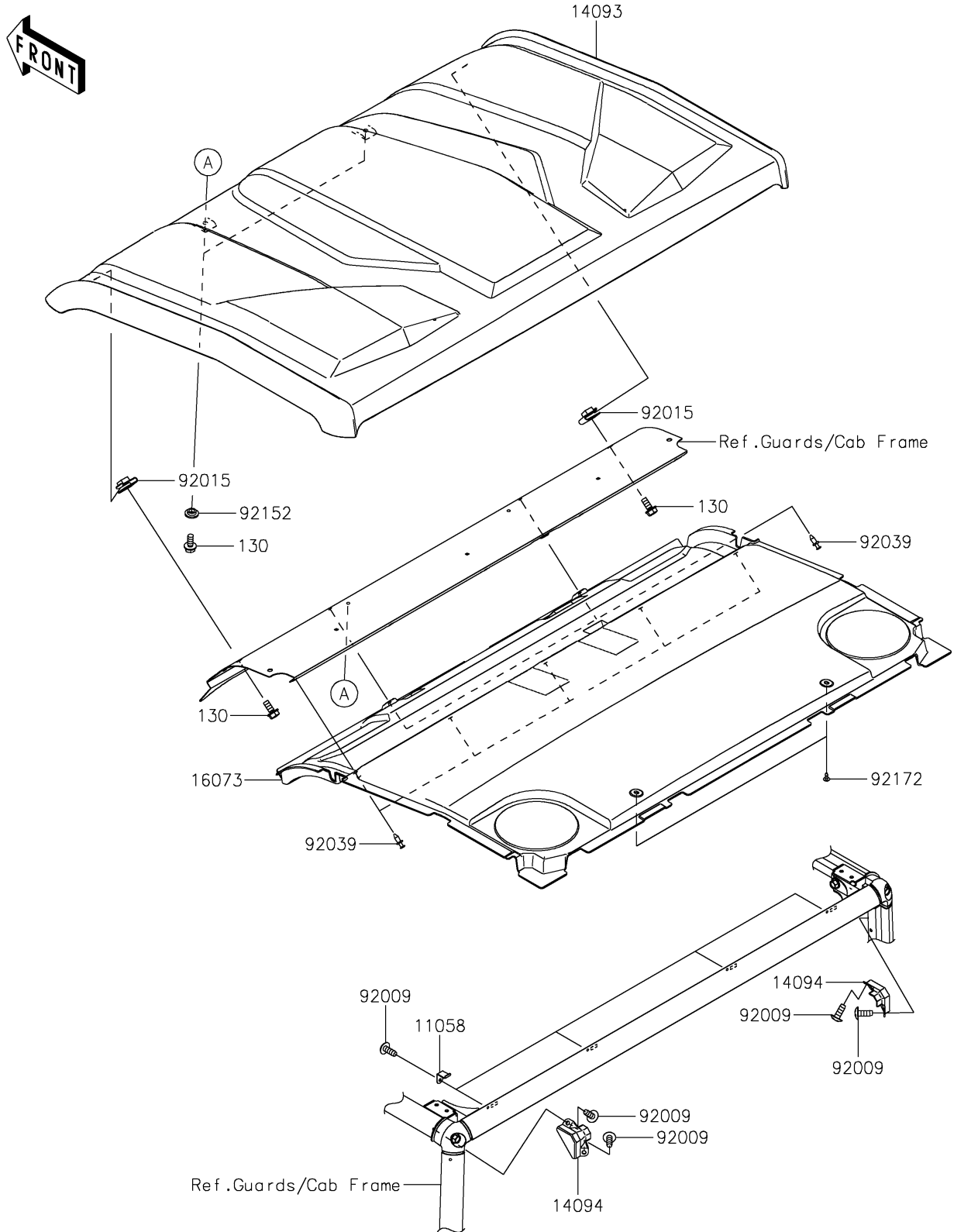


# 2025 Ridge Ranch Edition PARTS DIAGRAM

Sun Top(CSFNN/CSFNL)

F2876A



## 2025 Ridge Ranch Edition PARTS LIST

Sun Top(CSFNN/CSFNL)

ITEM NAME	PART NUMBER	QUANTITY
BRACKET,ROOF (Ref # 11058)	11058-0254	4
COVER,ROOF (Ref # 14093)	14093-1352	1
COVER,DOOR,CORNER (Ref # 14094)	14094-0146	2
INSULATOR,ROOF LINING (Ref # 16073)	16073-0988	1
SCREW,TAPPING,6X16 (Ref # 92009)	92009-1166	8
NUT,6MM (Ref # 92015)	92015-1602	2
RIVET (Ref # 92039)	92039-0776	7
COLLAR,6.3X9.5X4.1 (Ref # 92152)	92152-1571	2
SCREW,6X16 (Ref # 92172)	92172-0284	2
BOLT-FLANGED,6X14 (Ref # 130)	130BA0614	4