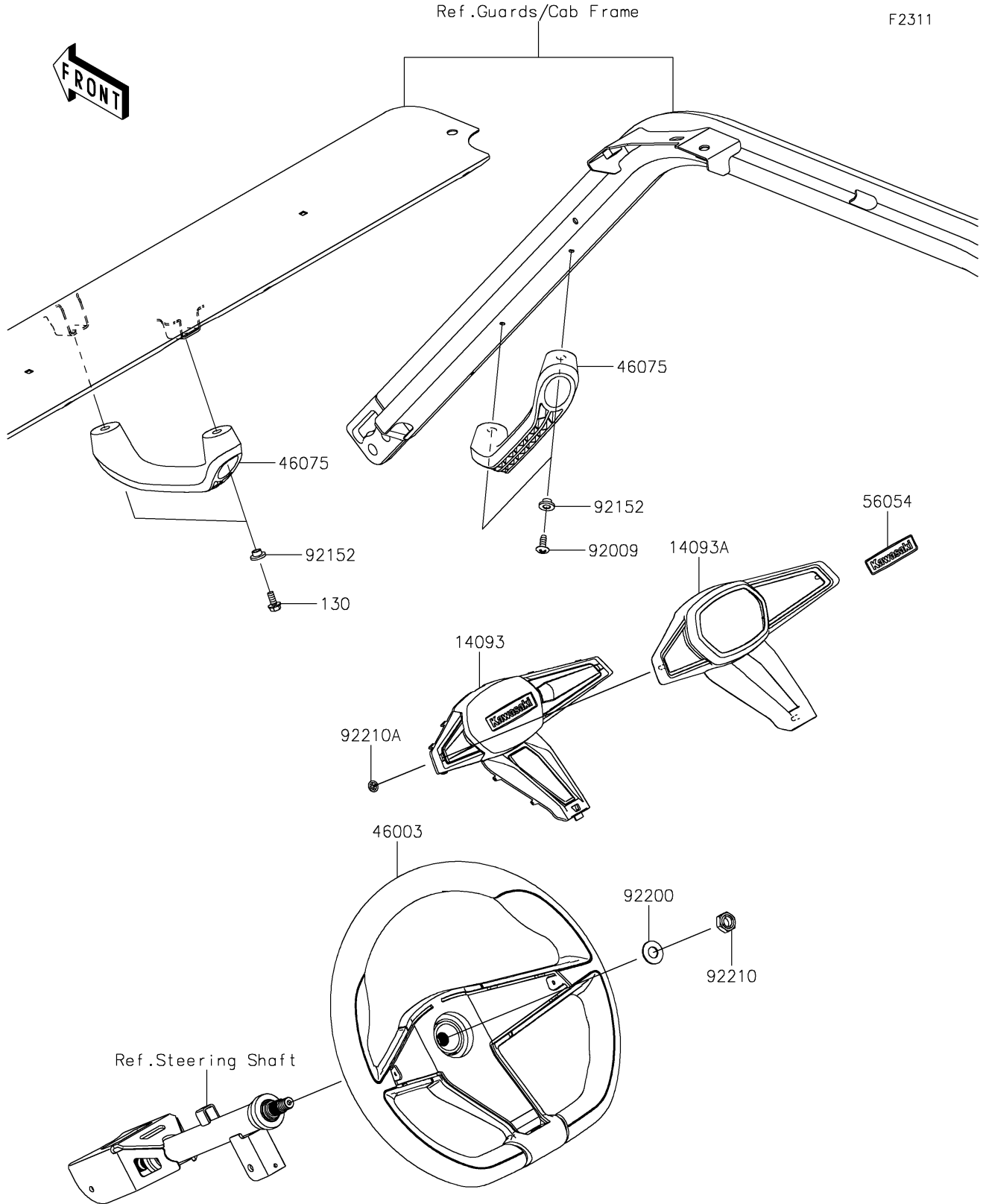


2024 Ridge HVAC PARTS DIAGRAM

Steering Wheel



2024 Ridge HVAC PARTS LIST

Steering Wheel

ITEM NAME	PART NUMBER	QUANTITY
COVER,HORN (Ref # 14093)	14093-1346	1
COVER,HORN,OUTER,S.BLACK (Ref # 14093A)	14093-1356-839	1
HANDLE (Ref # 46003)	46003-0824	1
GRIP,CNT/RH (Ref # 46075)	46075-0667	2
MARK,CENTER LOGO,KAWASAKI (Ref # 56054)	56054-2907	1
SCREW,TAPPING,6X16 (Ref # 92009)	92009-1166	2
COLLAR,7X9.5X7.5 (Ref # 92152)	92152-3832	4
WASHER,12.1X25X1.6 (Ref # 92200)	92200-0455	1
NUT,LOCK,12MM (Ref # 92210)	92210-1249	1
NUT (Ref # 92210A)	92210-1796	3
BOLT-FLANGED,6X14 (Ref # 130)	130BA0614	2