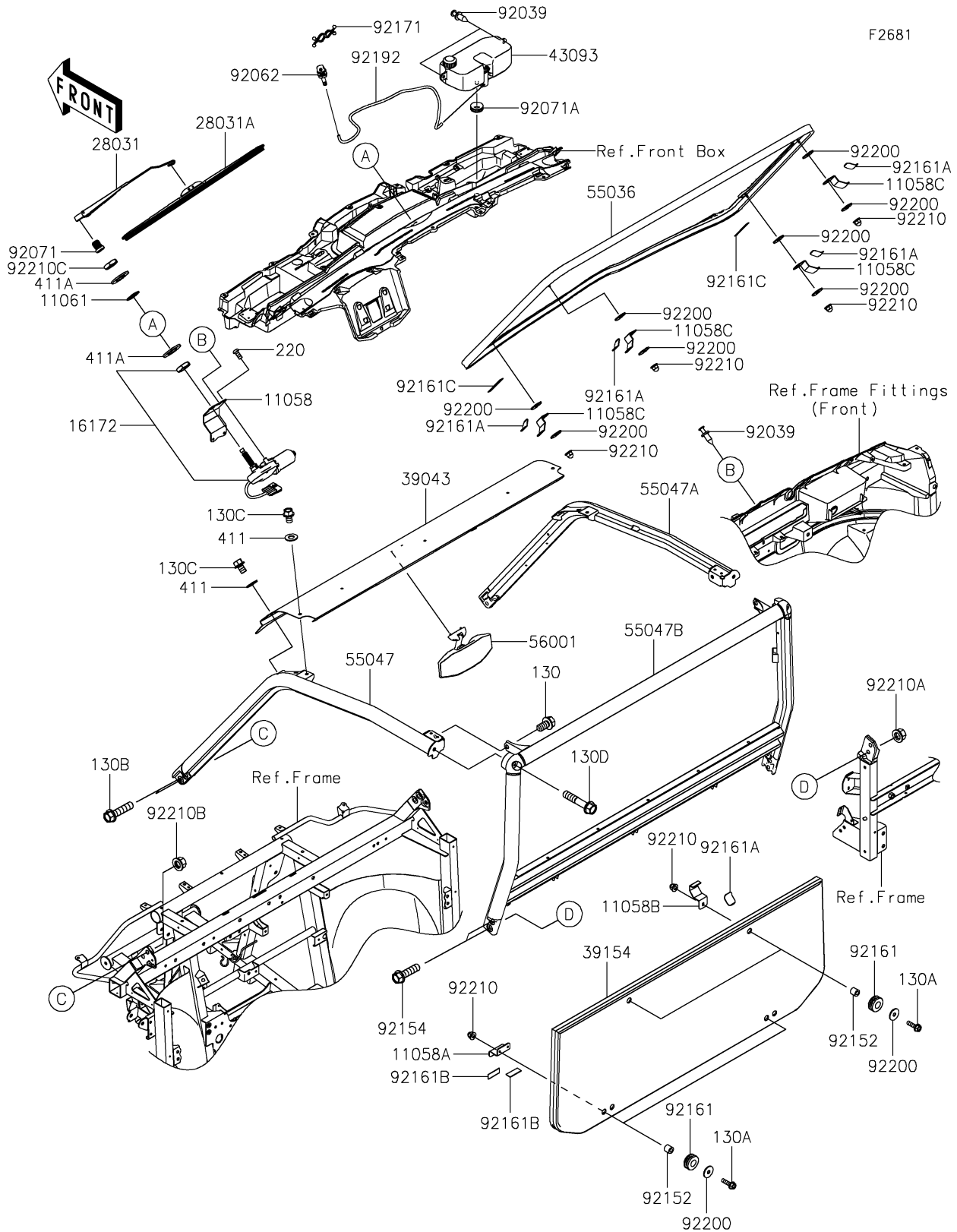


2024 Ridge HVAC PARTS DIAGRAM

Guards/Cab Frame(DRFNN/DRFNL)



F2681

2024 Ridge HVAC PARTS LIST

Guards/Cab Frame(DRFNN/DRFNL)

ITEM NAME	PART NUMBER	QUANTITY
BRACKET,WIPER ACTUATOR (Ref # 11058)	11058-0286	1
BRACKET,WINDSHIELD MOUNT,LWR (Ref # 11058A)	11058-0288	2
BRACKET,WINDSHIELD MOUNT (Ref # 11058B)	11058-2330	2
BRACKET,WINDSHIELD MOUNT (Ref # 11058C)	11058-2798	4
GASKET,16.7X25.4X1.6 (Ref # 11061)	11061-1553	1
ACTUATOR,WIPER (Ref # 16172)	16172-0565	1
WIPER,ARM (Ref # 28031)	28031-0002	1
WIPER,BLADE (Ref # 28031A)	28031-0005	1
CROSSMEMBER-COMP,UPP,FR,T.BLK (Ref # 39043)	39043-0037-388	1
WINDSHIELD,RR (Ref # 39154)	39154-0419	1
RESERVOIR-ASSY-TANK,WASHER (Ref # 43093)	43093-0011	1
WINDSHIELD-ASSY,FR (Ref # 55036)	55036-0052	1
BAR-COMP,LH,FR,T.BLACK (Ref # 55047)	55047-0412-388	1
BAR-COMP,RH,FR,T.BLACK (Ref # 55047A)	55047-0413-388	1
BAR-COMP,RR,T.BLACK (Ref # 55047B)	55047-0414-388	1
MIRROR-ASSY,REAR VIEW (Ref # 56001)	56001-0447	1
RIVET (Ref # 92039)	92039-0776	3
NOZZLE,WASHER (Ref # 92062)	92062-0578	1
GROMMET,WASHER (Ref # 92071)	92071-0826	1
GROMMET (Ref # 92071A)	92071-1115	1
COLLAR,6.5X12X11 (Ref # 92152)	92152-0692	6
BOLT,FLANGED,12X45 (Ref # 92154)	92154-1420	4
DAMPER (Ref # 92161)	92161-2500	6
DAMPER,45X35X1.5 (Ref # 92161A)	92161-2600	6
DAMPER,20X56X1.5 (Ref # 92161B)	92161-2639	4
DAMPER,100X15X1 (Ref # 92161C)	92161-2650	2
CLAMP (Ref # 92171)	92171-0476	1
TUBE,3.68X7.92X840 (Ref # 92192)	92192-2630	1
WASHER,6.5X22X1.6 (Ref # 92200)	92200-1087	14

2024 Ridge HVAC PARTS LIST

Guards/Cab Frame(DRFNN/DRFNL)

ITEM NAME	PART NUMBER	QUANTITY
NUT,CAP,6MM (Ref # 92210)	92210-0003	10
NUT,12MM (Ref # 92210A)	92210-0603	4
NUT,FLANGED,12MM (Ref # 92210B)	92210-1932	4
NUT,18MM (Ref # 92210C)	92210-1947	1
BOLT-FLANGED,12X22 (Ref # 130)	130BA1222	2
BOLT-FLANGED,6X22 (Ref # 130A)	130BB0622	6
BOLT-FLANGED,12X50 (Ref # 130B)	130BB1250	4
BOLT-FLANGED,10X14 (Ref # 130C)	130CA1014	4
BOLT-FLANGED,12X60 (Ref # 130D)	130CB1260	2
SCREW-PAN-CROS,6X14 (Ref # 220)	220AA0614	1
WASHER-PLAIN,10MM (Ref # 411)	411AA1000	4
WASHER-PLAIN,18MM (Ref # 411A)	411AA1800	2