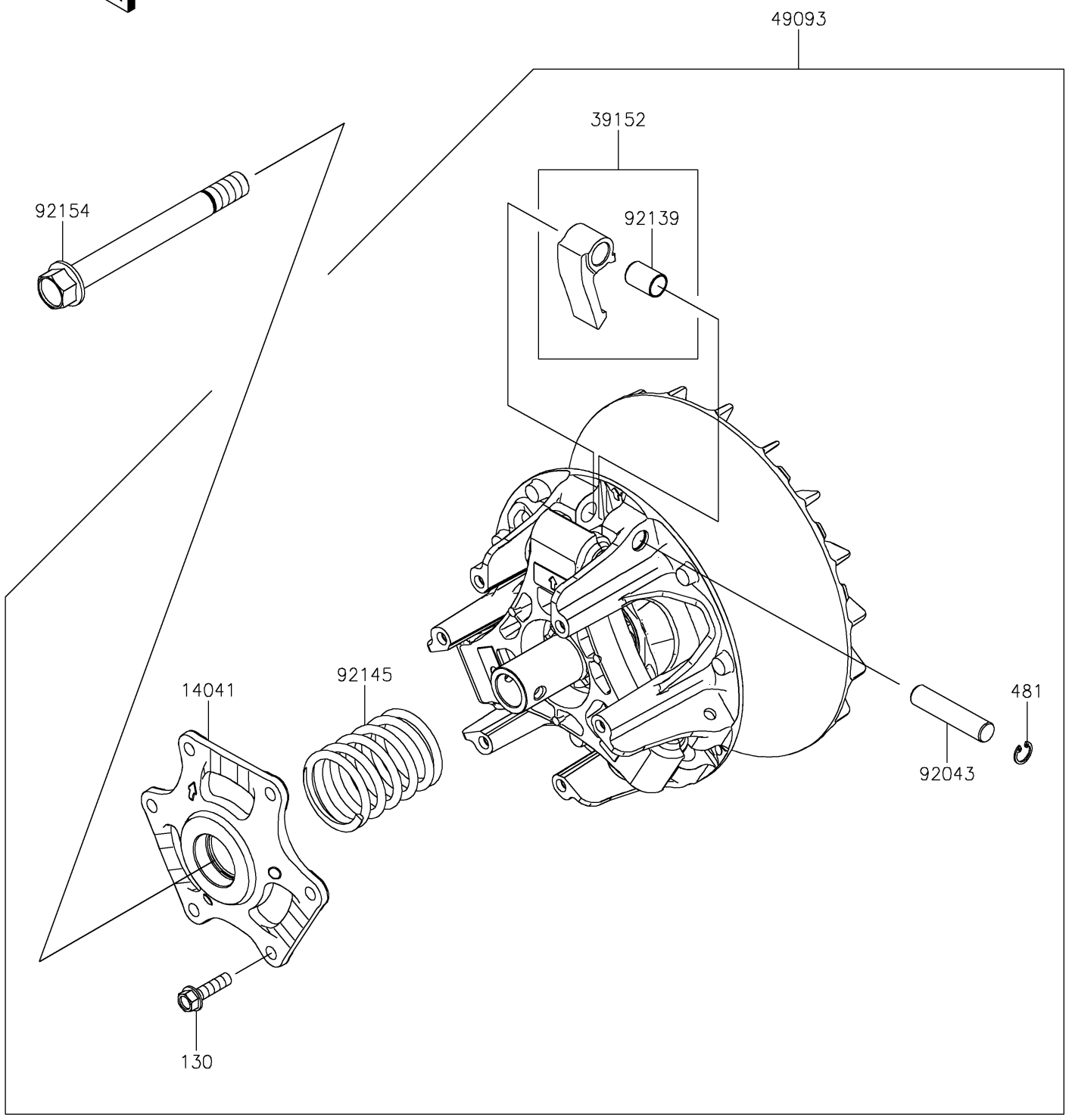


2025 RIDGE® LIMITED HVAC PARTS DIAGRAM

Drive Converter

E1391



2025 RIDGE® LIMITED HVAC PARTS LIST

Drive Converter

| ITEM NAME | PART NUMBER | QUANTITY |
|------------------------------------|-------------|----------|
| COVER-COMP (Ref # 14041) | 14041-0636 | 1 |
| WEIGHT-RAMP (Ref # 39152) | 39152-0112 | 3 |
| CONVERTER-ASSY-DRIVE (Ref # 49093) | 49093-0116 | 1 |
| PIN (Ref # 92043) | 92043-1780 | 3 |
| BUSHING (Ref # 92139) | 92139-0933 | 3 |
| SPRING (Ref # 92145) | 92145-2319 | 1 |
| BOLT,16X154 (Ref # 92154) | 92154-7044 | 1 |
| BOLT-FLANGED,8X30 (Ref # 130) | 130CA0830 | 6 |
| CIRCLIP-TYPE-C (Ref # 481) | 481J1400 | 3 |