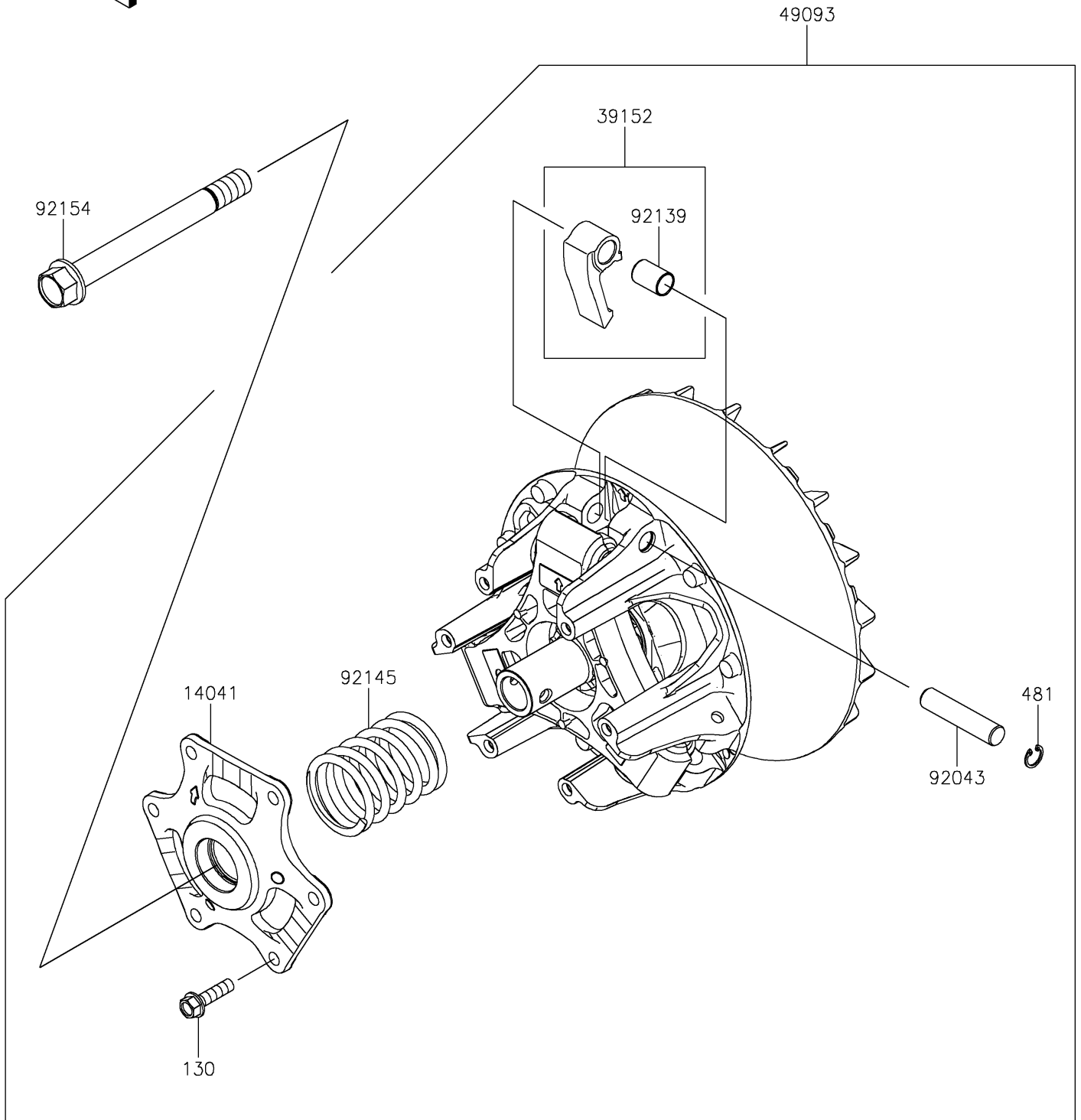


# 2025 Ridge XR HVAC PARTS DIAGRAM

Drive Converter

E1391



## 2025 Ridge XR HVAC PARTS LIST

### Drive Converter

| ITEM NAME                          | PART NUMBER | QUANTITY |
|------------------------------------|-------------|----------|
| COVER-COMP (Ref # 14041)           | 14041-0636  | 1        |
| WEIGHT-RAMP (Ref # 39152)          | 39152-0112  | 3        |
| CONVERTER-ASSY-DRIVE (Ref # 49093) | 49093-0116  | 1        |
| PIN (Ref # 92043)                  | 92043-1780  | 3        |
| BUSHING (Ref # 92139)              | 92139-0933  | 3        |
| SPRING (Ref # 92145)               | 92145-2319  | 1        |
| BOLT,16X154 (Ref # 92154)          | 92154-7044  | 1        |
| BOLT-FLANGED,8X30 (Ref # 130)      | 130CA0830   | 6        |
| CIRCLIP-TYPE-C (Ref # 481)         | 481J1400    | 3        |