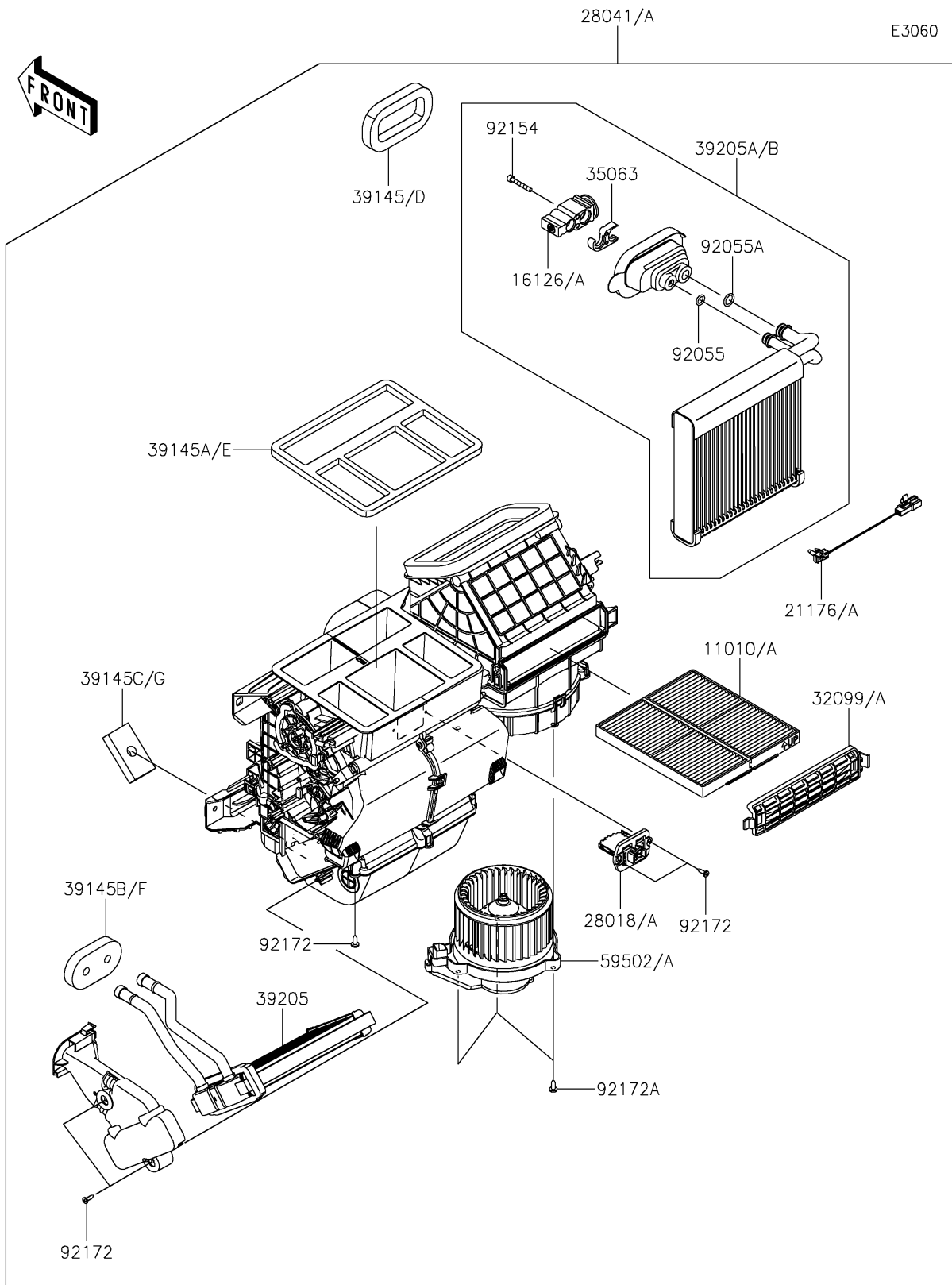


2024 RIDGE® XR HVAC PARTS DIAGRAM

HVAC Unit



2024 RIDGE® XR HVAC PARTS LIST

HVAC Unit

ITEM NAME	PART NUMBER	QUANTITY
FILTER-ASSY-AIR (Ref # 11010)	11010-1854	1
VALVE (Ref # 16126)	16126-0778	1
SENSOR (Ref # 21176)	21176-1233	1
RESISTOR (Ref # 28018)	28018-0008	1
AC-UNIT-ASSY (Ref # 28041)	28041-0001	1
CASE (Ref # 32099)	32099-0840	1
STAY (Ref # 35063)	35063-1649	1
TRIM-SEAL (Ref # 39145)	39145-0792	1
TRIM-SEAL (Ref # 39145A)	39145-0793	1
TRIM-SEAL (Ref # 39145B)	39145-0794	1
TRIM-SEAL (Ref # 39145C)	39145-0795	1
HEAT EXCHANGER (Ref # 39205)	39205-0004	1
HEAT EXCHANGER (Ref # 39205A)	39205-0005	1
FAN-ASSY (Ref # 59502)	59502-0653	1
RING-O (Ref # 92055)	92055-1773	1
RING-O (Ref # 92055A)	92055-1774	1
BOLT (Ref # 92154)	92154-7701	2
SCREW (Ref # 92172)	92172-1677	10
SCREW (Ref # 92172A)	92172-1678	3