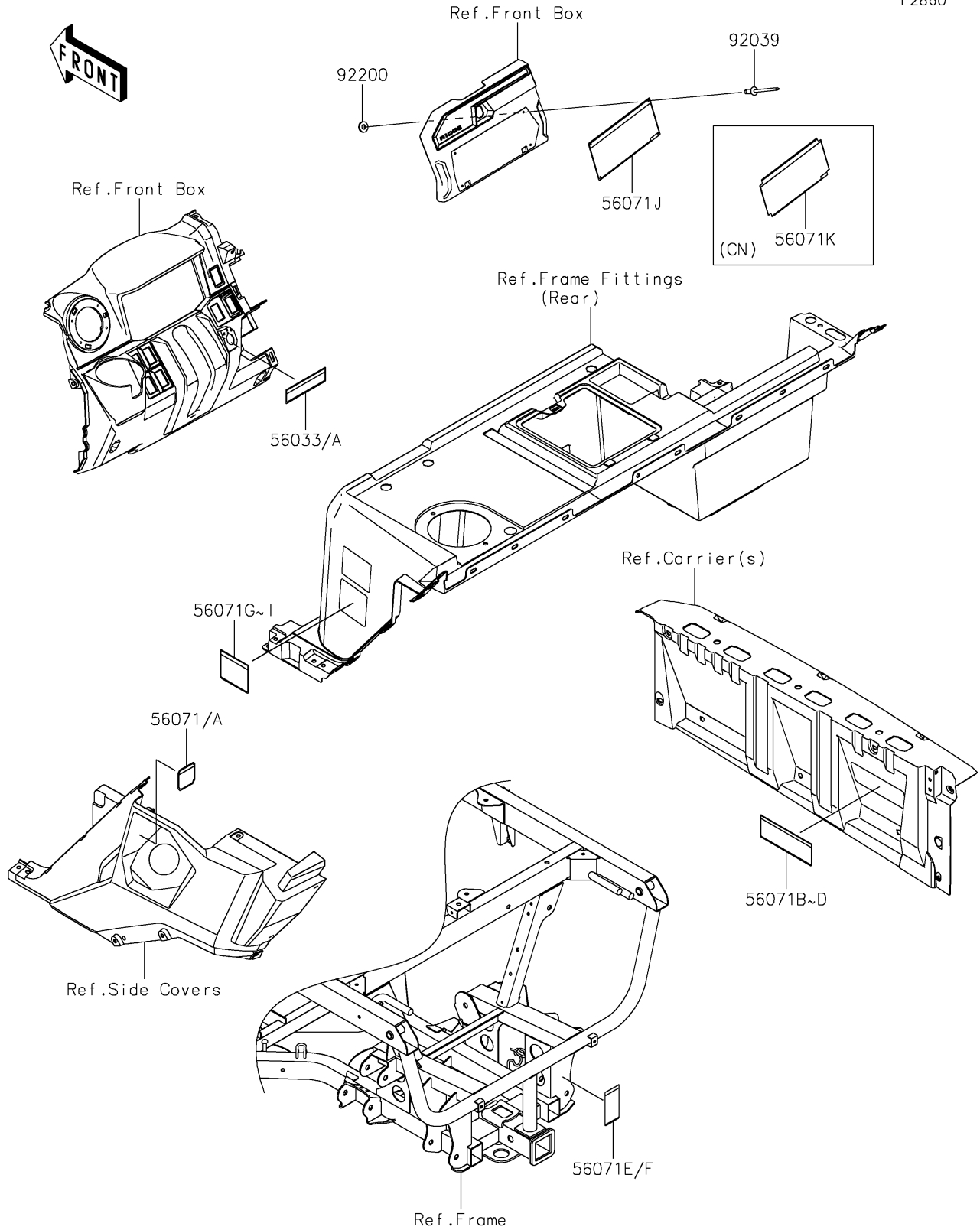


2025 Ridge XR HVAC PARTS DIAGRAM

Labels

F2860



2025 Ridge XR HVAC PARTS LIST

Labels

| ITEM NAME | PART NUMBER | QUANTITY |
|---|-------------|----------|
| LABEL-MANUAL,SHIFT NOTICE (Ref # 56033) | 56033-0822 | 1 |
| LABEL-MANUAL,SHIFT NOTICE (Ref # 56033A) | 56033-0826 | 1 |
| LABEL-WARNING,GASOLINE (Ref # 56071) | 56071-0588 | 1 |
| LABEL-WARNING,GASOLINE(FRENCH) (Ref # 56071A) | 56071-0593 | 1 |
| LABEL-WARNING,CARGO CAPA. (Ref # 56071B) | 56071-0700 | 1 |
| LABEL-WARNING,CARGO CAPA. (Ref # 56071C) | 56071-0715 | 1 |
| LABEL-WARNING,CARGO CAPA. (Ref # 56071D) | 56071-0716 | 1 |
| LABEL-WARNING,TRAILER HITCH (Ref # 56071E) | 56071-1058 | 1 |
| LABEL-WARNING,TRAILER HITCH(F) (Ref # 56071F) | 56071-1064 | 1 |
| LABEL-WARNING,TIRE INFORMATION (Ref # 56071G) | 56071-1067 | 1 |
| LABEL-WARNING,TIRE INFORMATION (Ref # 56071H) | 56071-1125 | 1 |
| LABEL-WARNING,TIRE INFORMATION (Ref # 56071I) | 56071-1130 | 1 |
| LABEL-WARNING,GENERAL (Ref # 56071J) | 56071-1183 | 1 |
| LABEL-WARNING,GENERAL(F) (Ref # 56071K) | 56071-1184 | 1 |
| RIVET,3.2X8 (Ref # 92039) | 92039-3763 | 4 |
| WASHER,3.5X8X1 (Ref # 92200) | 92200-1251 | 4 |