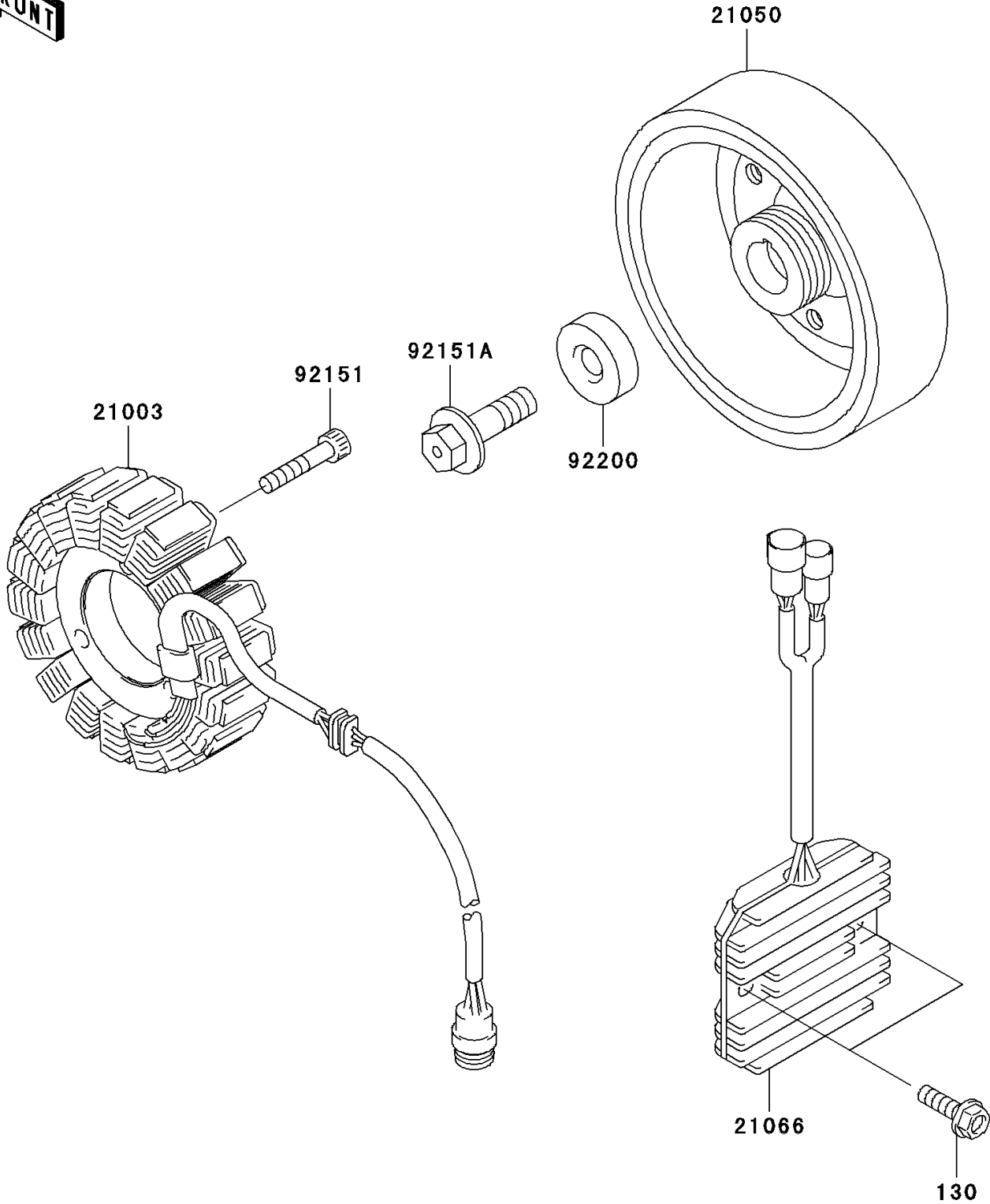


2005 ZZR600 PARTS DIAGRAM

Generator

E1810



2005 ZZR600 PARTS LIST

Generator

| ITEM NAME | PART NUMBER | QUANTITY |
|---------------------------------|-------------|----------|
| BOLT-FLANGED (Ref # 130) | 130H0620 | 2 |
| STATOR (Ref # 21003) | 21003-1358 | 1 |
| FLYWHEEL (Ref # 21050) | 21050-1190 | 1 |
| REGULATOR-VOLTAGE (Ref # 21066) | 21066-1125 | 1 |
| BOLT,6X30 (Ref # 92151) | 92151-1626 | 3 |
| BOLT,10X40 (Ref # 92151A) | 92151-1653 | 1 |
| WASHER (Ref # 92200) | 92200-1241 | 1 |