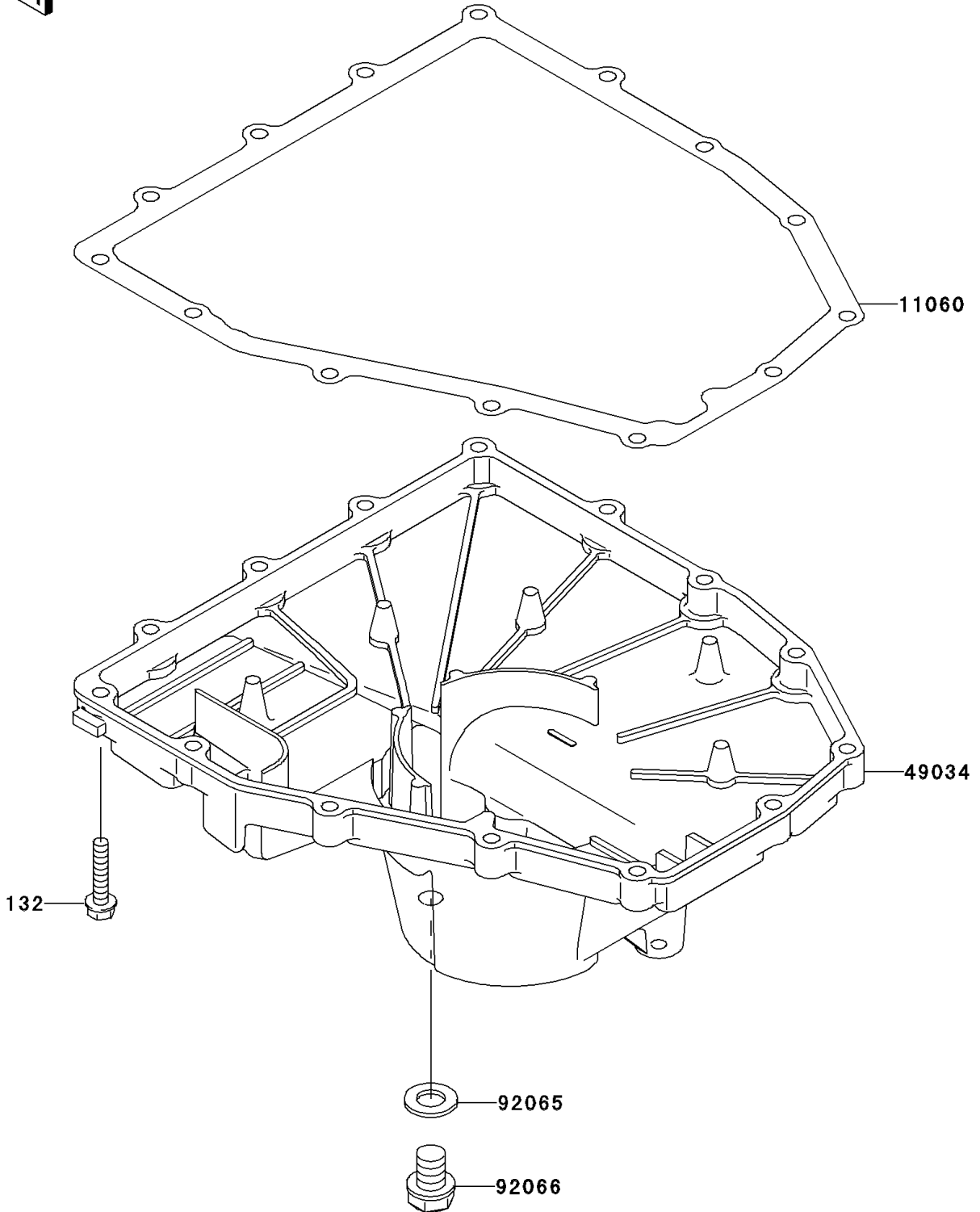


# 2003 Ninja<sup>®</sup> ZX<sup>™</sup>-6RR PARTS DIAGRAM

Oil Pan

E1434



## 2003 Ninja® ZX™ -6RR PARTS LIST

### Oil Pan

ITEM NAME	PART NUMBER	QUANTITY
BOLT-FLANGED-SMALL (Ref # 132)	132J0630	14
GASKET,OIL PAN (Ref # 11060)	11060-1996	1
PAN-OIL (Ref # 49034)	49034-1147	1
GASKET,12X22X2 (Ref # 92065)	92065-097	1
PLUG,OIL DRAIN,12X15 (Ref # 92066)	92066-1174	1