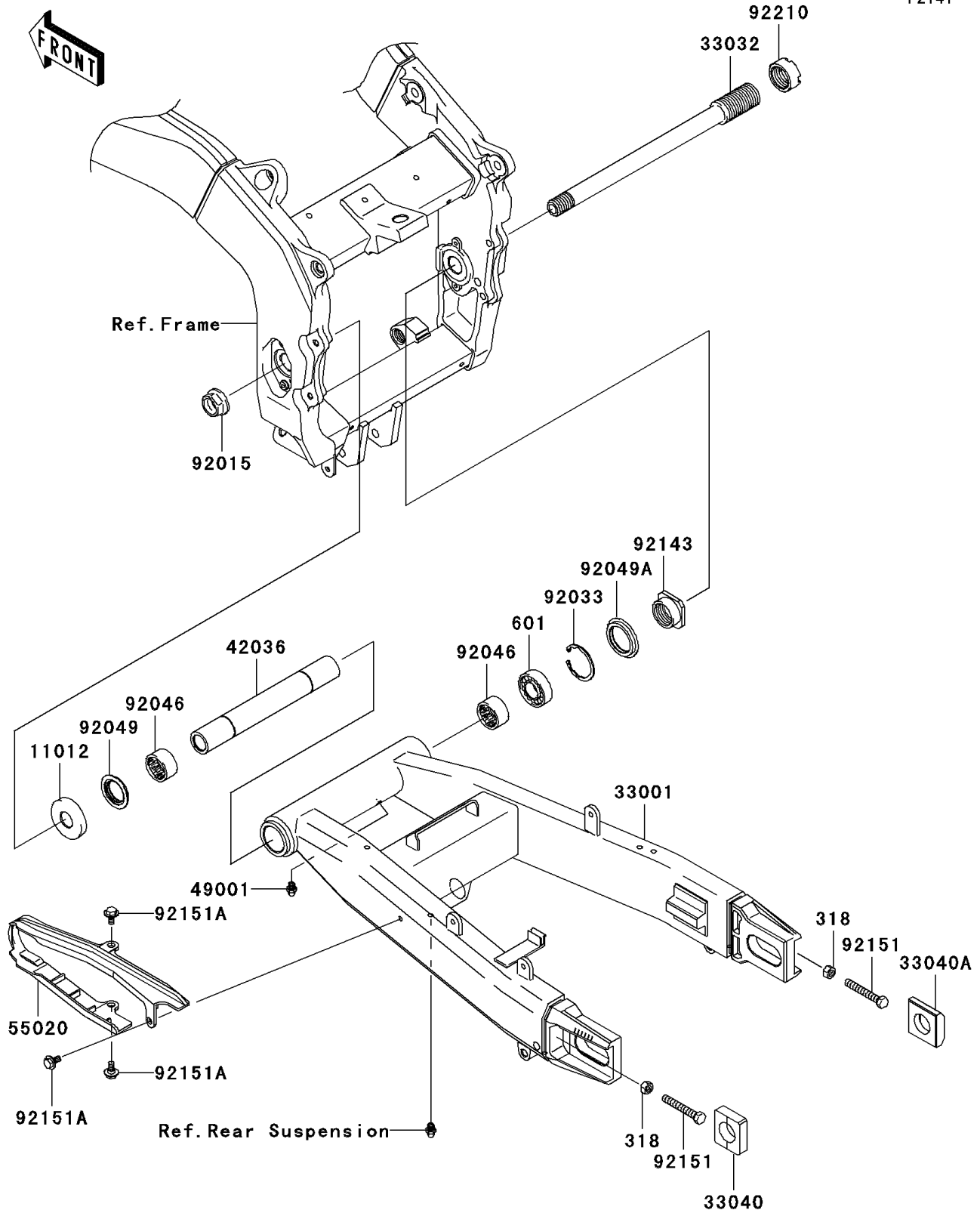


# 2003 Ninja® ZX™ -6RR PARTS DIAGRAM

Swingarm

F2141



## 2003 Ninja® ZX™ -6RR PARTS LIST

### Swingarm

ITEM NAME	PART NUMBER	QUANTITY
NUT-HEX-SMALL,8MM (Ref # 318)	318G0800	2
BEARING-BALL,#6004 (Ref # 601)	601A6004	1
CAP (Ref # 11012)	11012-1658	1
ARM-COMP-SWING,P.SILVER (Ref # 33001)	33001-1636-458	1
SHAFT-SWING ARM (Ref # 33032)	33032-0003	1
ADJUSTER-CHAIN (Ref # 33040)	33040-1114	1
ADJUSTER-CHAIN,RH (Ref # 33040A)	33040-1180	1
SLEEVE,SWING ARM,L=213 (Ref # 42036)	42036-1283	1
NIPPLE-GREASE (Ref # 49001)	49001-0001	1
GUARD,CHAIN (Ref # 55020)	55020-1806	1
NUT,FLANGED,20MM (Ref # 92015)	92015-1724	1
RING-SNAP,42MM (Ref # 92033)	92033-1041	1
BEARING-NEEDLE,BM2817 (Ref # 92046)	92046-1111	2
SEAL-OIL (Ref # 92049)	92049-1181	1
SEAL-OIL,MHA 35 42 5.7F (Ref # 92049A)	92049-1380	1
COLLAR,SWING ARM PIVOT,RH (Ref # 92143)	92143-1973	1
BOLT,8X55 (Ref # 92151)	92151-1578	2
BOLT,6MM (Ref # 92151A)	92151-1703	3
NUT,M28X1.0 (Ref # 92210)	92210-1347	1