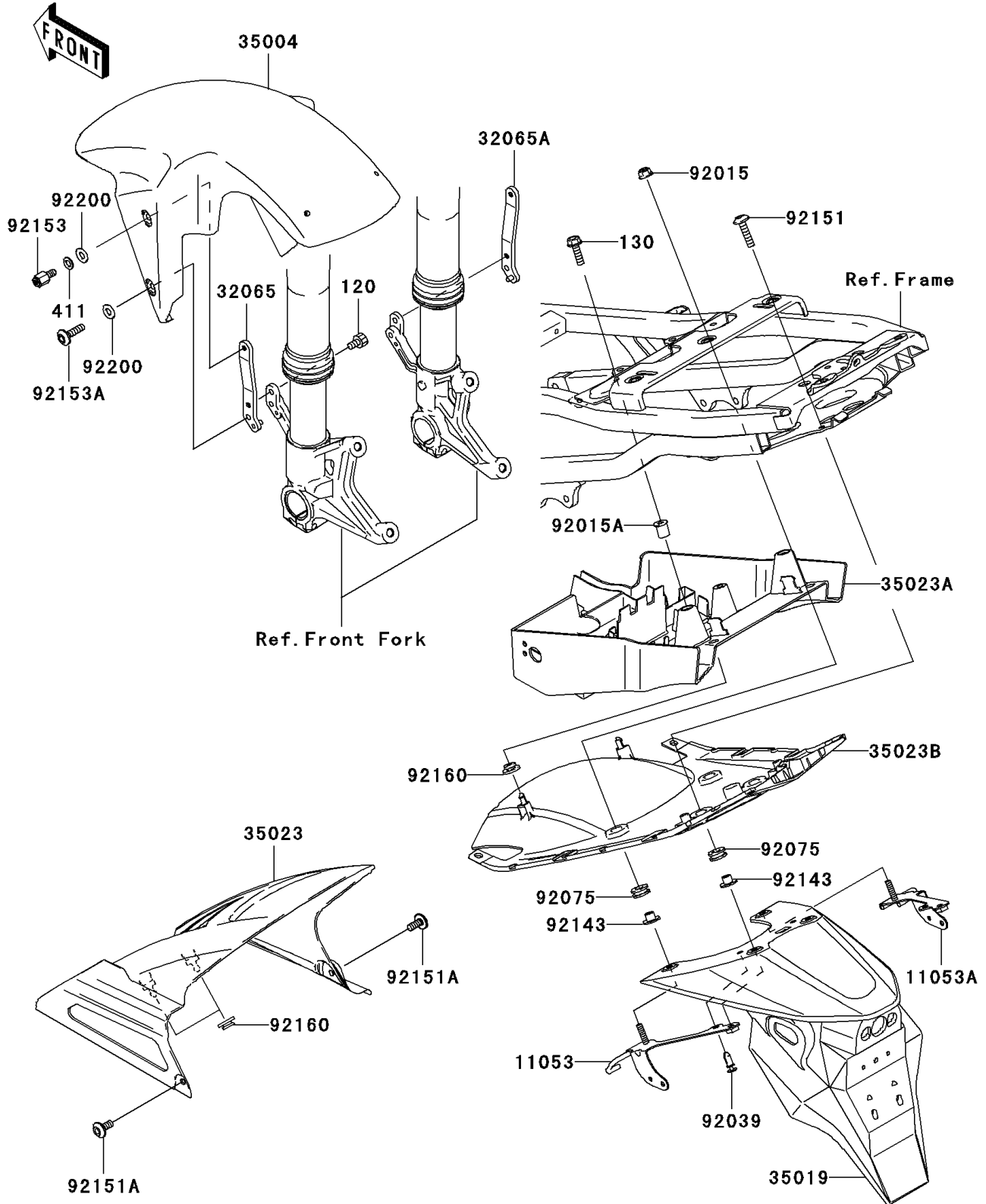


# 2003 Ninja® ZX™ -6RR PARTS DIAGRAM

Fenders

F2170



## 2003 Ninja® ZX™ -6RR PARTS LIST

### Fenders

ITEM NAME	PART NUMBER	QUANTITY
BOLT-SOCKET (Ref # 120)	120S0610	2
BOLT-FLANGED (Ref # 130)	130L0620	2
WASHER-PLAIN,6MM,BLACK (Ref # 411)	411F0600	2
BRACKET,FLAP,LH (Ref # 11053)	11053-0060	1
BRACKET,FLAP,RH (Ref # 11053A)	11053-0061	1
BRACKET-FENDER,LH (Ref # 32065)	32065-1376	1
BRACKET-FENDER,RH (Ref # 32065A)	32065-1377	1
FENDER-FRONT,L.GREEN (Ref # 35004)	35004-1467-7F	1
FLAP,REAR FENDER (Ref # 35019)	35019-1400	1
FENDER-REAR,INNER,L.GREEN (Ref # 35023)	35023-1597-6W	1
FENDER-REAR,FR (Ref # 35023A)	35023-1600	1
FENDER-REAR,CNT,L.GREEN (Ref # 35023B)	35023-1601-7F	1
NUT,LOCK,FLANGED,6MM (Ref # 92015)	92015-1603	2
NUT,RUBBER,6MM (Ref # 92015A)	92015-1692	2
RIVET (Ref # 92039)	92039-1286	2
DAMPER (Ref # 92075)	92075-1634	4
COLLAR (Ref # 92143)	92143-1962	4
BOLT,SOCKET,6X25 (Ref # 92151)	92151-1611	2
BOLT,SOCKET,6X14 (Ref # 92151A)	92151-1654	2
BOLT,6MM (Ref # 92153)	92153-0335	2
BOLT,SOCKET,6X23 (Ref # 92153A)	92153-1267	2
DAMPER (Ref # 92160)	92160-1613	4
WASHER,6.5X14X1 (Ref # 92200)	92200-1388	4