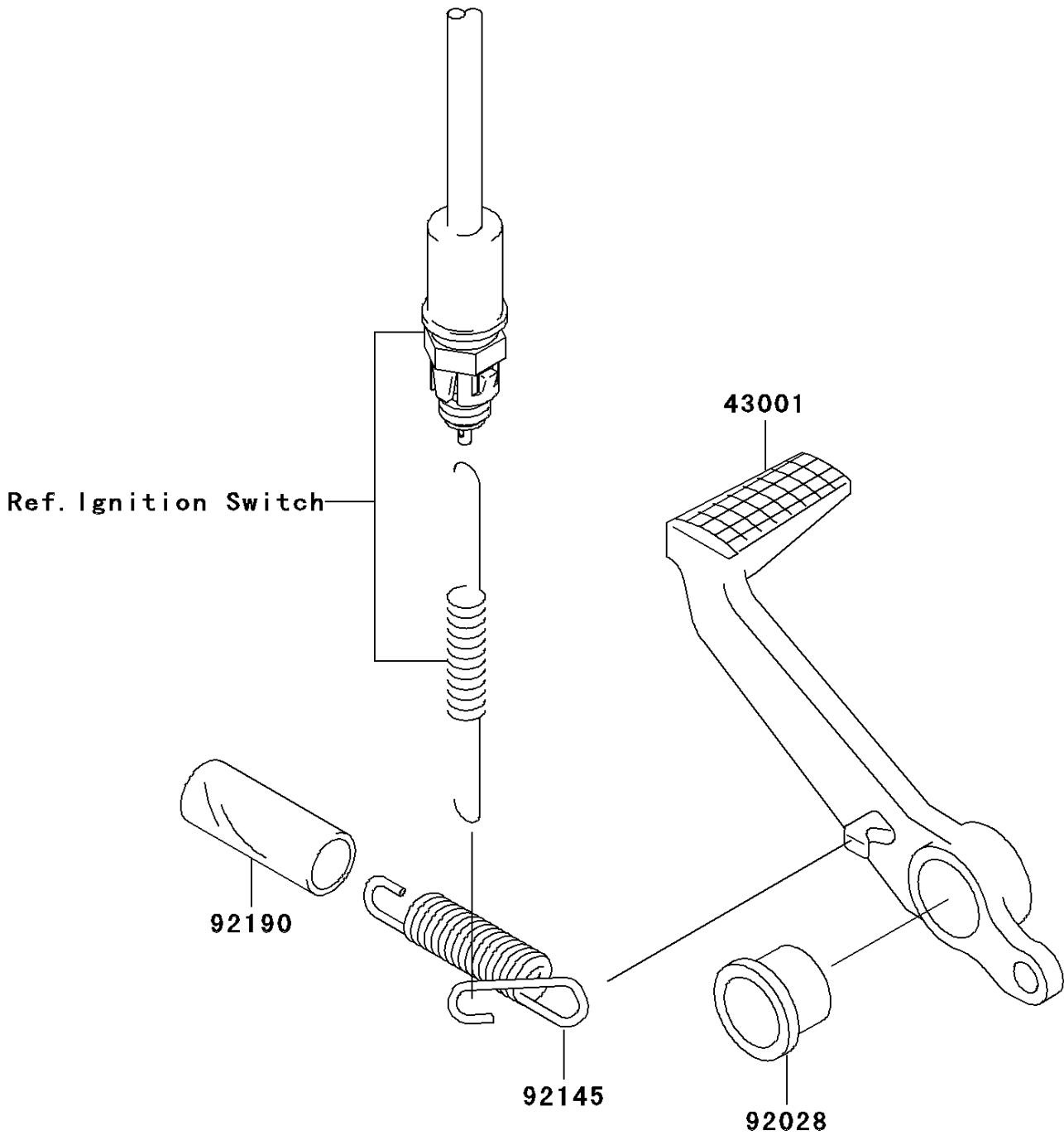


# 2003 Ninja® ZX™ -6RR PARTS DIAGRAM

Brake Pedal/Torque Link

F2260



## 2003 Ninja® ZX™ -6RR PARTS LIST

### Brake Pedal/Torque Link

ITEM NAME	PART NUMBER	QUANTITY
LEVER-BRAKE,PEDAL (Ref # 43001)	43001-0002	1
BUSHING (Ref # 92028)	92028-1576	1
SPRING,BRAKE PEDAL RETURN (Ref # 92145)	92145-0024	1
TUBE,16X19X30 (Ref # 92190)	92190-1185	1