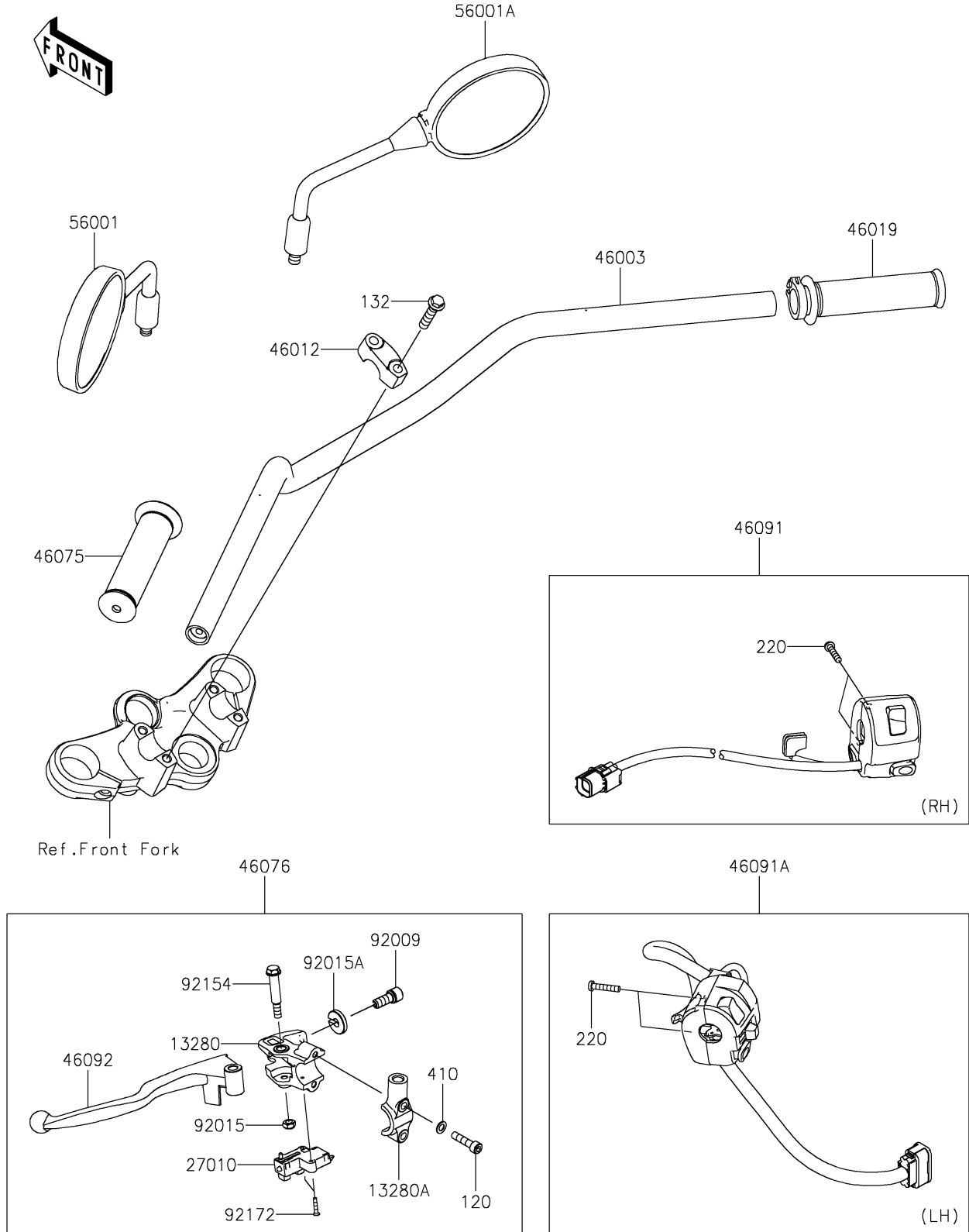


# 2025 W230 PARTS DIAGRAM

Handlebar

F2310



## 2025 W230 PARTS LIST

### Handlebar

ITEM NAME	PART NUMBER	QUANTITY
HOLDER,LEVER (Ref # 13280)	13280-0929	1
HOLDER,MIRROR (Ref # 13280A)	13280-0930	1
SWITCH,CLUTCH (Ref # 27010)	27010-0729	1
HANDLE (Ref # 46003)	46003-0850	1
HOLDER-HANDLE,UPP,BLACK (Ref # 46012)	46012-0101-10	2
GRIP-ASSY,THROTTLE (Ref # 46019)	46019-1110	1
GRIP,LH (Ref # 46075)	46075-1175	1
LEVER-ASSY-GRIP,CLUTCH (Ref # 46076)	46076-0193	1
HOUSING-ASSY-CONTROL,RH (Ref # 46091)	46091-0663	1
HOUSING-ASSY-CONTROL,LH (Ref # 46091A)	46091-0664	1
LEVER-GRIP,CLUTCH (Ref # 46092)	46092-0583	1
MIRROR-ASSY,LH (Ref # 56001)	56001-0464	1
MIRROR-ASSY,RH (Ref # 56001A)	56001-0465	1
SCREW,CABLE ADJUST,8MM,BLACK (Ref # 92009)	92009-1134	1
NUT,LOCK,6MM,BLACK (Ref # 92015)	92015-1191	1
NUT,CABLE ADJUST LOCK,8MM,BLK (Ref # 92015A)	92015-1197	1
BOLT,FLANGED,6X44 (Ref # 92154)	92154-2331	1
SCREW,3X16 (Ref # 92172)	92172-0183	2
BOLT-SOCKET,6X25 (Ref # 120)	120CB0625	2
BOLT-FLANGED-SMALL,8X35 (Ref # 132)	132E0835	4
SCREW-PAN-CROS,5X25 (Ref # 220)	220AB0525	4
WASHER-PLAIN-SMALL,6MM (Ref # 410)	410AB0600	2