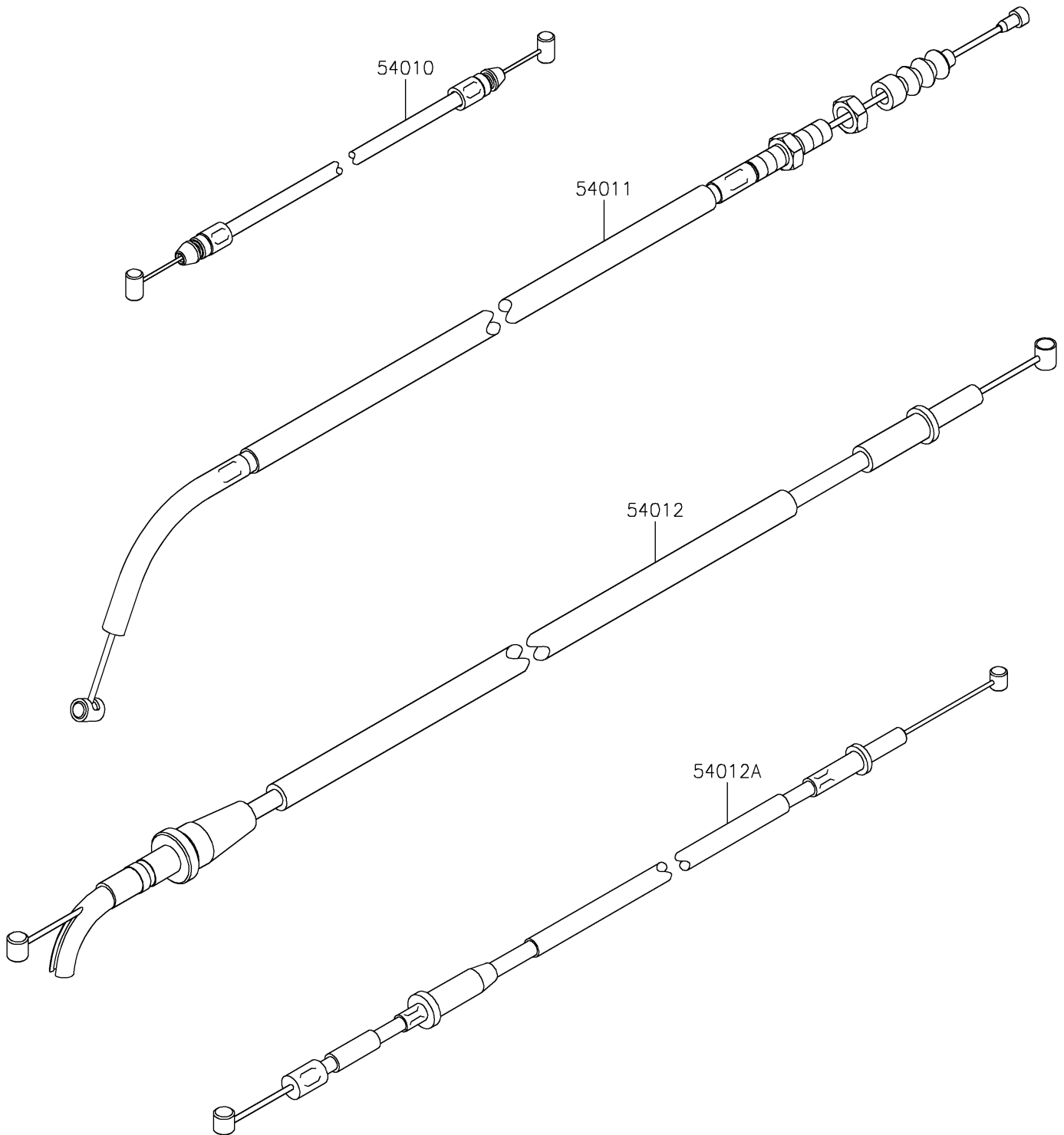


2025 W230 ABS PARTS DIAGRAM

Cables

F2540



2025 W230 ABS PARTS LIST

Cables

ITEM NAME	PART NUMBER	QUANTITY
CABLE,SEAT LOCK (Ref # 54010)	54010-0665	1
CABLE-CLUTCH (Ref # 54011)	54011-0669	1
CABLE-THROTTLE,OPENING (Ref # 54012)	54012-0744	1
CABLE-THROTTLE,CLOSING (Ref # 54012A)	54012-0745	1