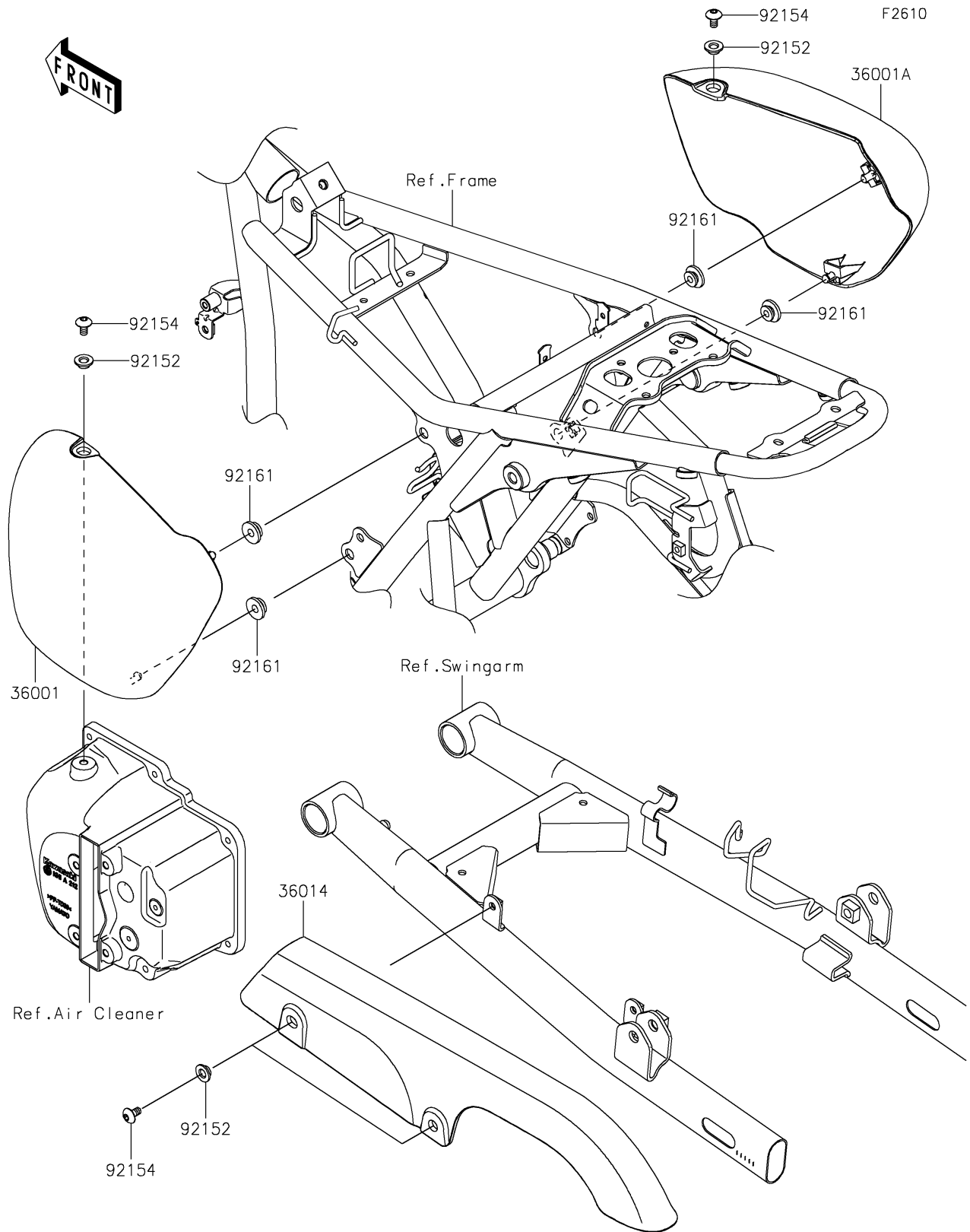


2025 W230 ABS PARTS DIAGRAM

Side Covers/Chain Cover



2025 W230 ABS PARTS LIST

Side Covers/Chain Cover

| ITEM NAME | PART NUMBER | QUANTITY |
|------------------------------------|---------------|----------|
| COVER-SIDE,LH,EBONY (Ref # 36001) | 36001-0776-H8 | 1 |
| COVER-SIDE,RH,EBONY (Ref # 36001A) | 36001-0777-H8 | 1 |
| CASE-CHAIN (Ref # 36014) | 36014-0579 | 1 |
| COLLAR (Ref # 92152) | 92152-3921 | 4 |
| BOLT,SOCKET,6X12 (Ref # 92154) | 92154-1484 | 4 |
| DAMPER (Ref # 92161) | 92161-1810 | 4 |