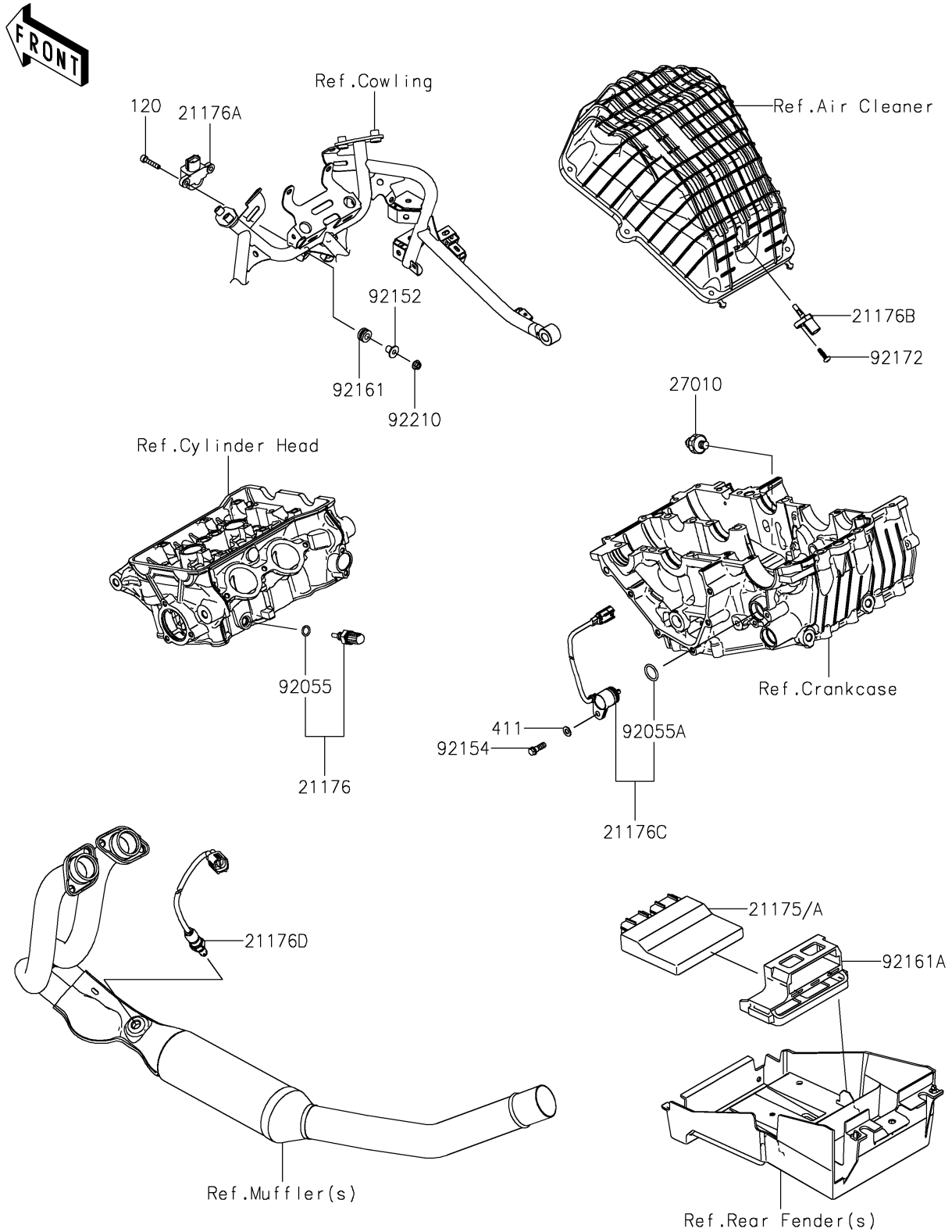


2025 Ninja 500 PARTS DIAGRAM

Fuel Injection

E1530



2025 Ninja 500 PARTS LIST

Fuel Injection

| ITEM NAME | PART NUMBER | QUANTITY |
|--|-------------|----------|
| CONTROL UNIT-ELECTRONIC (Ref # 21175) | 21175-1982 | 1 |
| CONTROL UNIT-ELECTRONIC (Ref # 21175A) | 21175-1983 | 1 |
| SENSOR,WATER TEMP (Ref # 21176) | 21176-0009 | 1 |
| SENSOR,VEHICLE-DOWN (Ref # 21176A) | 21176-0026 | 1 |
| SENSOR,AIR TEMPERATURE (Ref # 21176B) | 21176-0048 | 1 |
| SENSOR,GEAR POSITION (Ref # 21176C) | 21176-0852 | 1 |
| SENSOR,OXYGEN (Ref # 21176D) | 21176-1202 | 1 |
| SWITCH,OIL PRESSURE (Ref # 27010) | 27010-1313 | 1 |
| RING-O,9.5X1.9 (Ref # 92055) | 92055-0016 | 1 |
| RING-O (Ref # 92055A) | 92055-0917 | 1 |
| COLLAR,5.6X8X11.2 (Ref # 92152) | 92152-1562 | 2 |
| BOLT (Ref # 92154) | 92154-3764 | 1 |
| DAMPER,8X16X8.6 (Ref # 92161) | 92161-0685 | 2 |
| DAMPER (Ref # 92161A) | 92161-2437 | 1 |
| SCREW,TAPPING,5X16 (Ref # 92172) | 92172-0790 | 1 |
| NUT,FLANGED,5MM (Ref # 92210) | 92210-0007 | 2 |
| BOLT-SOCKET,5X25 (Ref # 120) | 120CA0525 | 2 |
| WASHER-PLAIN,6MM (Ref # 411) | 411AA0600 | 1 |