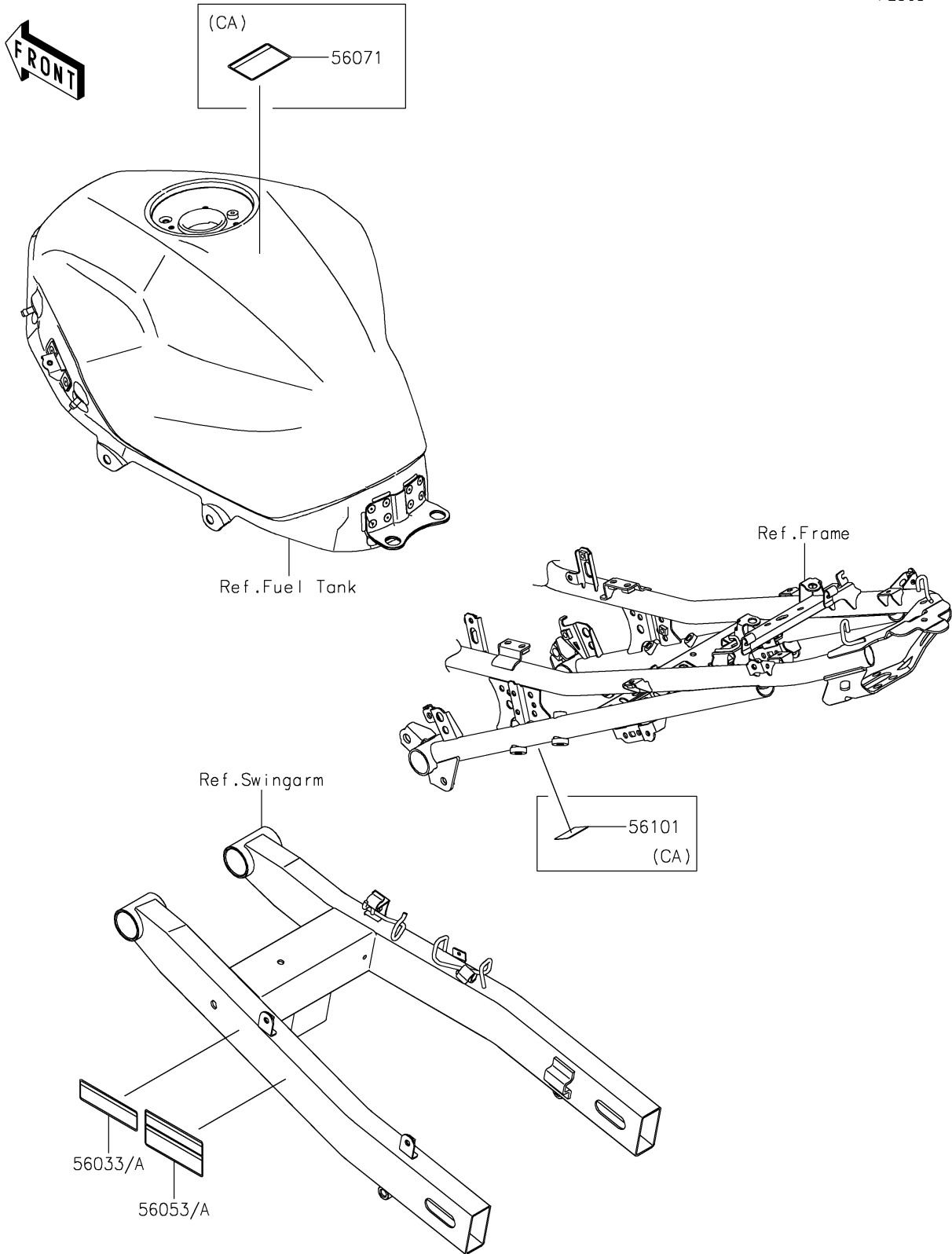


# 2024 Ninja 500 PARTS DIAGRAM

Labels

F2860



# 2024 Ninja 500 PARTS LIST

## Labels

ITEM NAME	PART NUMBER	QUANTITY
LABEL-MANUAL,CHAIN (Ref # 56033)	56033-0850	1
LABEL-SPECIFICATION,TIRE&LOAD (Ref # 56053)	56053-1580	1
LABEL-WARNING,EVAPO (Ref # 56071)	56071-0158	1
LABEL-CERTIFICATION,EVAPO (Ref # 56101)	56101-0512	1