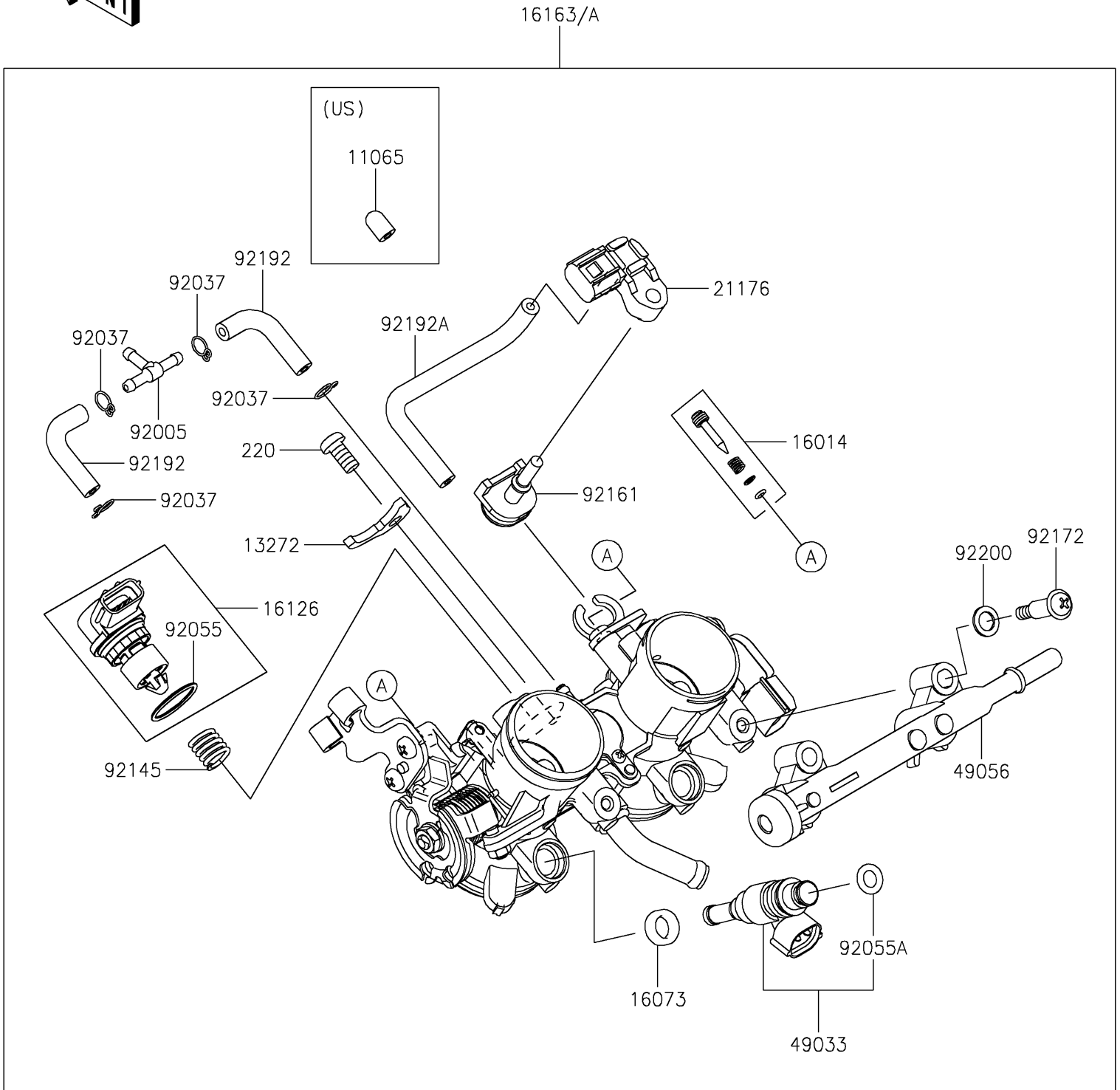


2025 NINJA® 500 PARTS DIAGRAM

Throttle

E1510



2025 NINJA® 500 PARTS LIST

Throttle

| ITEM NAME | PART NUMBER | QUANTITY |
|--------------------------------------|-------------|----------|
| CAP (Ref # 11065) | 11065-0072 | 2 |
| PLATE (Ref # 13272) | 13272-2558 | 1 |
| SCREW-PILOT AIR (Ref # 16014) | 16014-0022 | 2 |
| INSULATOR (Ref # 16073) | 16073-0866 | 2 |
| VALVE,ISC (Ref # 16126) | 16126-0748 | 1 |
| THROTTLE-ASSY (Ref # 16163) | 16163-1267 | 1 |
| THROTTLE-ASSY (Ref # 16163A) | 16163-1295 | 1 |
| SENSOR,PRESSURE (Ref # 21176) | 21176-0906 | 1 |
| NOZZLE-INJECTION (Ref # 49033) | 49033-0047 | 2 |
| PIPE-INJECTION (Ref # 49056) | 49056-0050 | 1 |
| FITTING (Ref # 92005) | 92005-1380 | 1 |
| CLAMP,TUBE (Ref # 92037) | 92037-1124 | 4 |
| RING-O (Ref # 92055) | 92055-0907 | 1 |
| RING-O,REGULATOR-FUEL (Ref # 92055A) | 92055-2187 | 2 |
| SPRING (Ref # 92145) | 92145-1826 | 1 |
| DAMPER (Ref # 92161) | 92161-2438 | 1 |
| SCREW (Ref # 92172) | 92172-1257 | 2 |
| TUBE,3.5X7.5X55 (Ref # 92192) | 92192-1349 | 2 |
| TUBE (Ref # 92192A) | 92192-1906 | 1 |
| WASHER (Ref # 92200) | 92200-3807 | 2 |
| SCREW-PAN-CROS,6X12 (Ref # 220) | 220AA0612 | 1 |
| CLAMP,TUBE (Ref # 92037) | 92037-1124 | 2 |