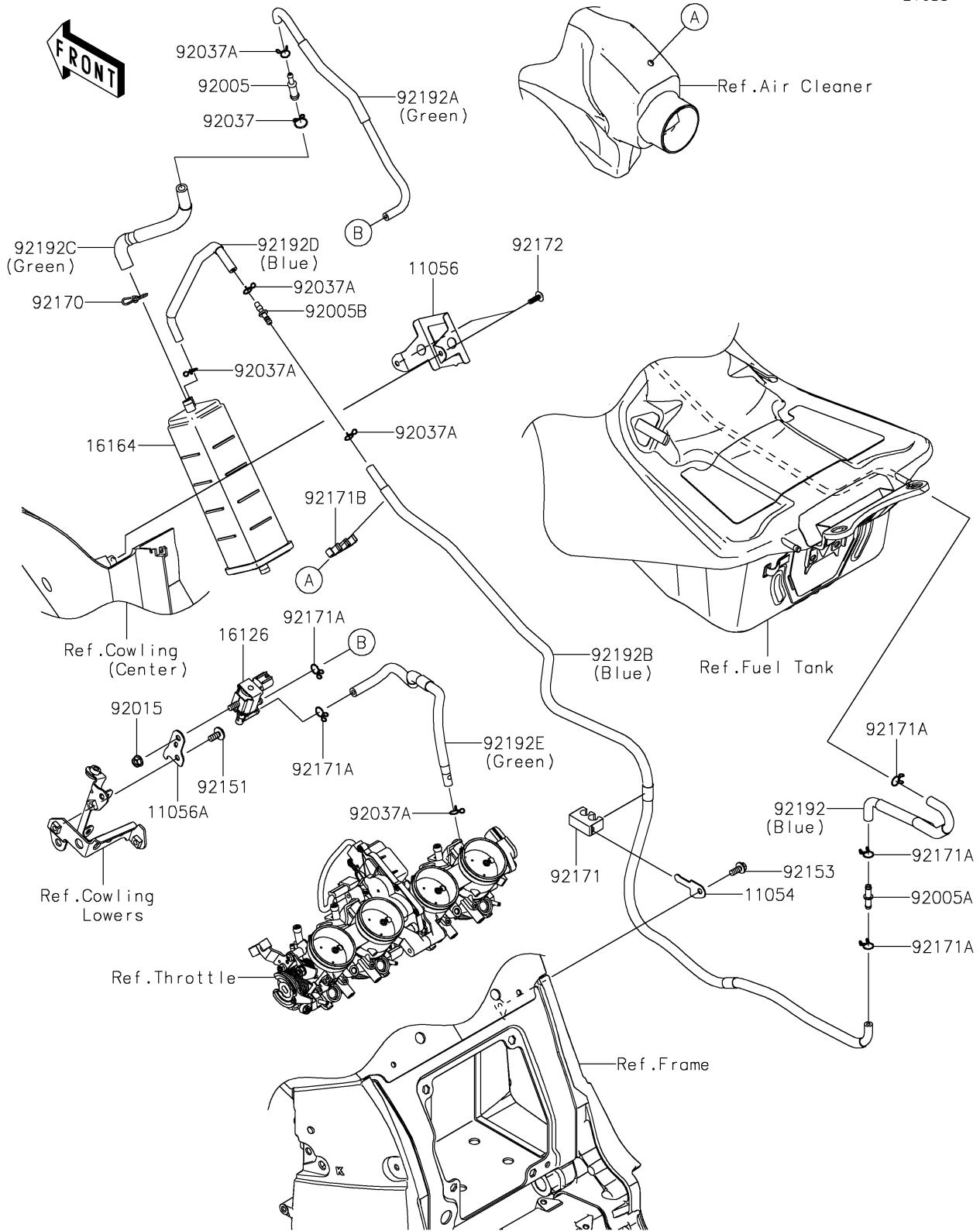


# 2023 Ninja ZX-14R ABS SE PARTS DIAGRAM

## Fuel Evaporative System(CA)

E1650



## 2023 Ninja ZX-14R ABS SE PARTS LIST

Fuel Evaporative System(CA)

ITEM NAME	PART NUMBER	QUANTITY
BRACKET (Ref # 11054)	11054-0464	1
BRACKET,CANISTER (Ref # 11056)	11056-1176	1
BRACKET,SOLENOID VALVE (Ref # 11056A)	11056-1739	1
VALVE,SOLENOID (Ref # 16126)	16126-0705	1
CANISTER (Ref # 16164)	16164-0009	1
FITTING (Ref # 92005)	92005-0032	1
FITTING (Ref # 92005A)	92005-0721	1
FITTING (Ref # 92005B)	92005-1206	1
NUT,FLANGED,6MM (Ref # 92015)	92015-1367	1
CLAMP,12.5MM (Ref # 92037)	92037-1271	1
CLAMP (Ref # 92037A)	92037-1712	5
BOLT,SOCKET,6X14 (Ref # 92151)	92151-1654	1
BOLT,FLANGED,6X14 (Ref # 92153)	92153-1571	1
CLAMP (Ref # 92170)	92170-1695	1
CLAMP (Ref # 92171)	92171-0693	1
CLAMP (Ref # 92171A)	92171-0718	5
CLAMP (Ref # 92171B)	92171-1213	1
SCREW,TAPPING,5X16 (Ref # 92172)	92172-0175	2
TUBE,TANK-CANISTER,BLUE (Ref # 92192)	92192-0512	1
TUBE,5X9.7X331,GREEN (Ref # 92192A)	92192-1056	1
TUBE,4X9.2X1105,BLUE (Ref # 92192B)	92192-1058	1
TUBE,CANISTER-VALVE,GREEN (Ref # 92192C)	92192-1152	1
TUBE,4X9.2X240,BLUE (Ref # 92192D)	92192-1153	1
TUBE,VALVE-THROTTLE,GREEN (Ref # 92192E)	92192-1166	1