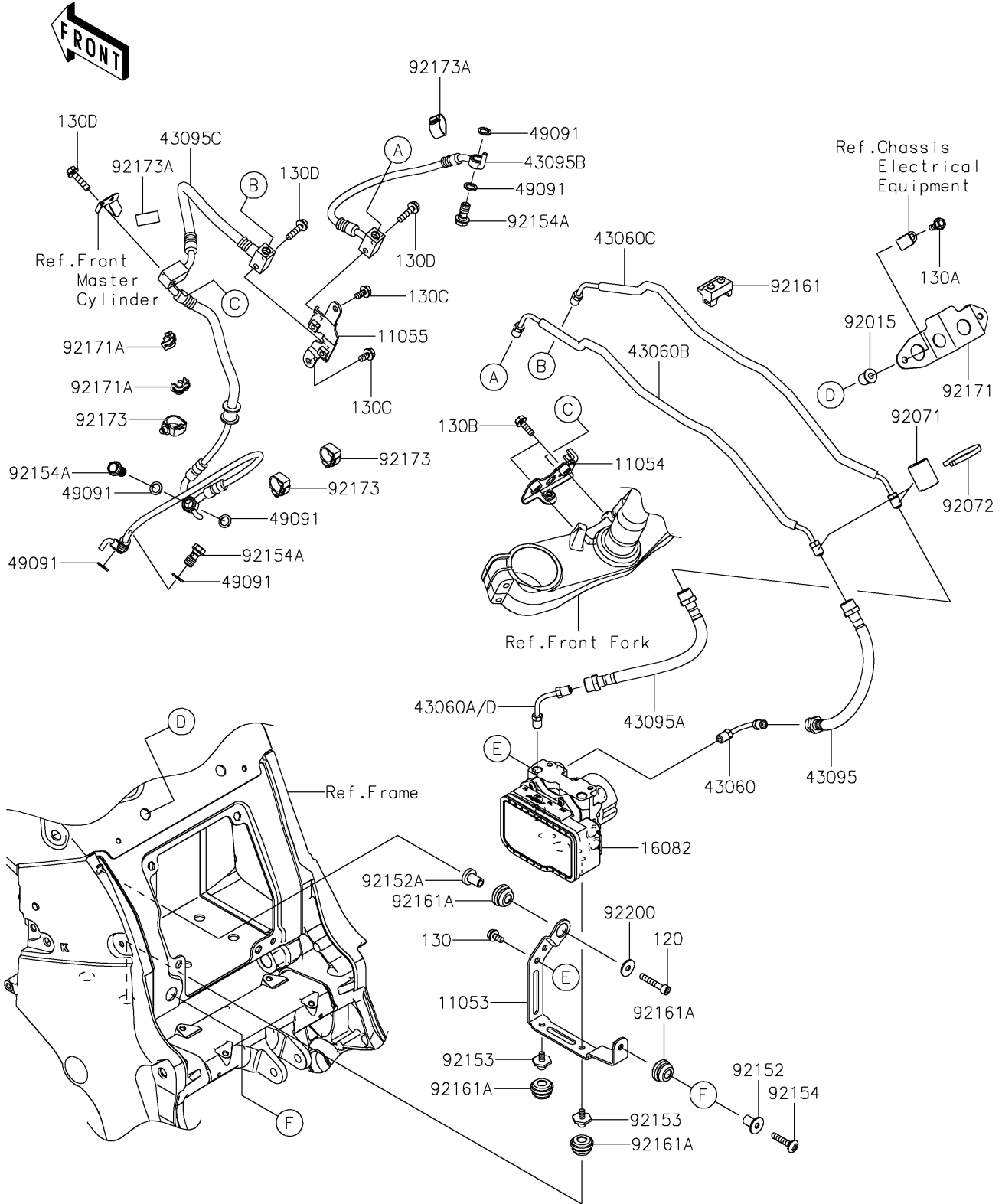


2023 Ninja ZX-14R ABS SE PARTS DIAGRAM

Brake Piping

F2262



2023 Ninja ZX-14R ABS SE PARTS LIST

Brake Piping

ITEM NAME	PART NUMBER	QUANTITY
BRACKET,ABS UNIT (Ref # 11053)	11053-1949	1
BRACKET,JOINT (Ref # 11054)	11054-0029	1
BRACKET,JOINT (Ref # 11055)	11055-0588	1
PUMP-ASSY-OIL,ABS,NISSIN (Ref # 16082)	16082-0759	1
PIPE-BRAKE,HU-M/CYLINDER (Ref # 43060)	43060-0014	1
PIPE-BRAKE,HU-FR CALIPER (Ref # 43060A)	43060-0015	1
PIPE-BRAKE,HU-FR M/CYLINDER (Ref # 43060B)	43060-0059	1
PIPE-BRAKE,HU-FR CALIPER (Ref # 43060C)	43060-0060	1
HOSE-BRAKE,FR M/CYL.-HU (Ref # 43095)	43095-0607	1
HOSE-BRAKE,HU-FR CALIPER (Ref # 43095A)	43095-0608	1
HOSE-BRAKE,FR M/CYL. (Ref # 43095B)	43095-0912	1
HOSE-BRAKE,FR CALIPER,LH-RH (Ref # 43095C)	43095-0913	1
WASHER-SEAL,10.1X14.5X1.5 (Ref # 49091)	49091-0001	6
NUT (Ref # 92015)	92015-1700	2
GROMMET (Ref # 92071)	92071-1143	2
BAND,L=148 (Ref # 92072)	92072-3768	2
COLLAR (Ref # 92152)	92152-0346	1
COLLAR (Ref # 92152A)	92152-0347	1
BOLT,6X10 (Ref # 92153)	92153-1381	2
BOLT,SOCKET,6X30 (Ref # 92154)	92154-0435	1
BOLT,BANJO,10X19 (Ref # 92154A)	92154-1554	3
DAMPER,HOSE CLAMP (Ref # 92161)	92161-0305	1
DAMPER (Ref # 92161A)	92161-0315	4
CLAMP,BRAKE HOSE (Ref # 92171)	92171-0630	1
CLAMP (Ref # 92171A)	92171-0921	2
CLAMP,HOLDER CLIP (Ref # 92173)	92173-0868	3
CLAMP (Ref # 92173A)	92173-2198	2
WASHER,6.5X20X1.6 (Ref # 92200)	92200-0283	1
BOLT-SOCKET,6X35 (Ref # 120)	120CA0635	1

2023 Ninja ZX-14R ABS SE PARTS LIST

Brake Piping

ITEM NAME	PART NUMBER	QUANTITY
BOLT-FLANGED,6X12 (Ref # 130)	130BA0612	1
BOLT-FLANGED,6X16 (Ref # 130A)	130BA0616	2
BOLT-FLANGED,6X18 (Ref # 130B)	130BA0618	2
BOLT-FLANGED,6X12 (Ref # 130C)	130BB0612	2
BOLT-FLANGED,6X25 (Ref # 130D)	130BB0625	3