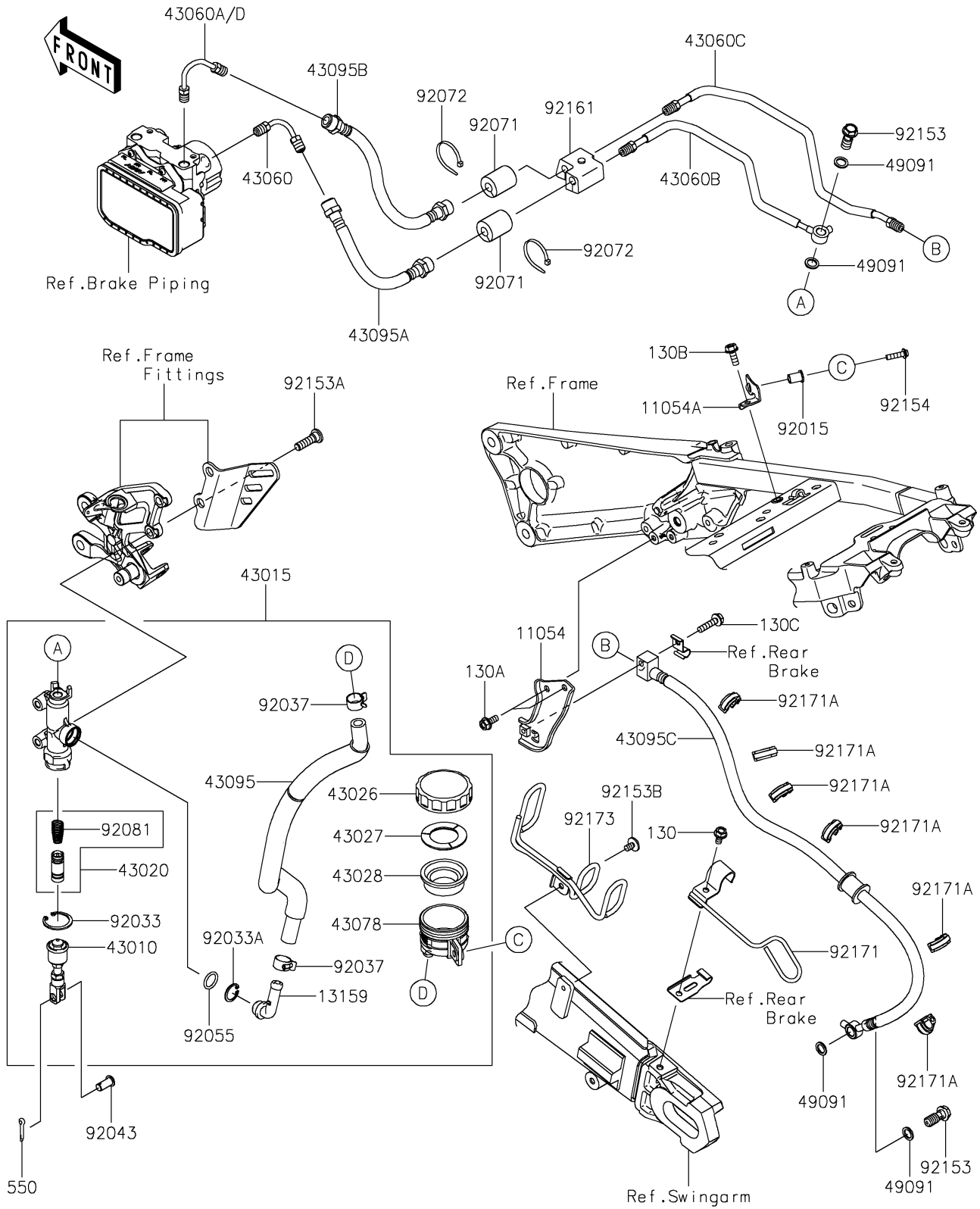


2023 NINJA[®] ZX[™]-14R ABS PARTS DIAGRAM

Rear Master Cylinder

F2293



2023 NINJA® ZX™ -14R ABS PARTS LIST

Rear Master Cylinder

ITEM NAME	PART NUMBER	QUANTITY
BRACKET,HOSE JOINT (Ref # 11054)	11054-0060	1
BRACKET,RESERVOIR TANK,RR (Ref # 11054A)	11054-0184	1
CONNECTOR,RR MASTER CYLINDER (Ref # 13159)	13159-1052	1
ROD-ASSY-BRAKE (Ref # 43010)	43010-0012	1
CYLINDER-ASSY-MASTER,RR (Ref # 43015)	43015-0584	1
PISTON-COMP-BRAKE (Ref # 43020)	43020-1057	1
CAP-BRAKE (Ref # 43026)	43026-1051	1
PLATE-DIAPHRAGM (Ref # 43027)	43027-1051	1
DIAPHRAGM,MASTER CYLINDER (Ref # 43028)	43028-1057	1
PIPE-BRAKE,HU-M/CYLINDER (Ref # 43060)	43060-0014	1
PIPE-BRAKE,HU-RR CALIPER (Ref # 43060A)	43060-0019	1
PIPE-BRAKE,HU-RR M/CYLINDER (Ref # 43060B)	43060-0020	1
PIPE-BRAKE,HU-RR CALIPER (Ref # 43060C)	43060-0061	1
RESERVOIR,RR MASTER CYLINDER (Ref # 43078)	43078-1082	1
HOSE-BRAKE,RR MASTER CYLINDER (Ref # 43095)	43095-0235	1
HOSE-BRAKE,RR M/CYL.-HU (Ref # 43095A)	43095-0612	1
HOSE-BRAKE,HU-RR CALIPER (Ref # 43095B)	43095-0613	1
HOSE-BRAKE,HU-RR CALIPER (Ref # 43095C)	43095-0614	1
WASHER-SEAL,10.1X14.5X1.5 (Ref # 49091)	49091-0001	4
NUT,WELL,5MM (Ref # 92015)	92015-1757	1
RING-SNAP,20.9X24.6X1.2 (Ref # 92033)	92033-0079	1
RING-SNAP,20.5MM (Ref # 92033A)	92033-1186	1
CLAMP,BRAKE HOSE (Ref # 92037)	92037-1547	2
PIN,8X17 (Ref # 92043)	92043-0104	1
RING-O,14.8X2.4 (Ref # 92055)	92055-0741	1
GROMMET (Ref # 92071)	92071-1143	2
BAND,L=148 (Ref # 92072)	92072-3768	2
SPRING,MASTER CYLINDER (Ref # 92081)	92081-1737	1
BOLT,OIL,L=23 (Ref # 92153)	92153-0627	2

2023 NINJA® ZX™ -14R ABS PARTS LIST

Rear Master Cylinder

ITEM NAME	PART NUMBER	QUANTITY
BOLT,SOCKET,8X30 (Ref # 92153A)	92153-1624	2
BOLT,SOCKET,6X10 (Ref # 92153B)	92153-1628	1
BOLT,SOCKET,5X20 (Ref # 92154)	92154-0829	1
DAMPER,HOSE CLAMP (Ref # 92161)	92161-0314	1
CLAMP,BRAKE HOSE,RR (Ref # 92171)	92171-0553	1
CLAMP,BRAKE HOSE (Ref # 92171A)	92171-1819	6
CLAMP (Ref # 92173)	92173-0989	1
BOLT-FLANGED,6X12 (Ref # 130)	130BA0612	1
BOLT-FLANGED,6X14 (Ref # 130A)	130BA0614	2
BOLT-FLANGED,6X16 (Ref # 130B)	130BA0616	1
BOLT-FLANGED,6X25 (Ref # 130C)	130BB0625	1
PIN-COTTER,2.0X15 (Ref # 550)	550AA2015	1