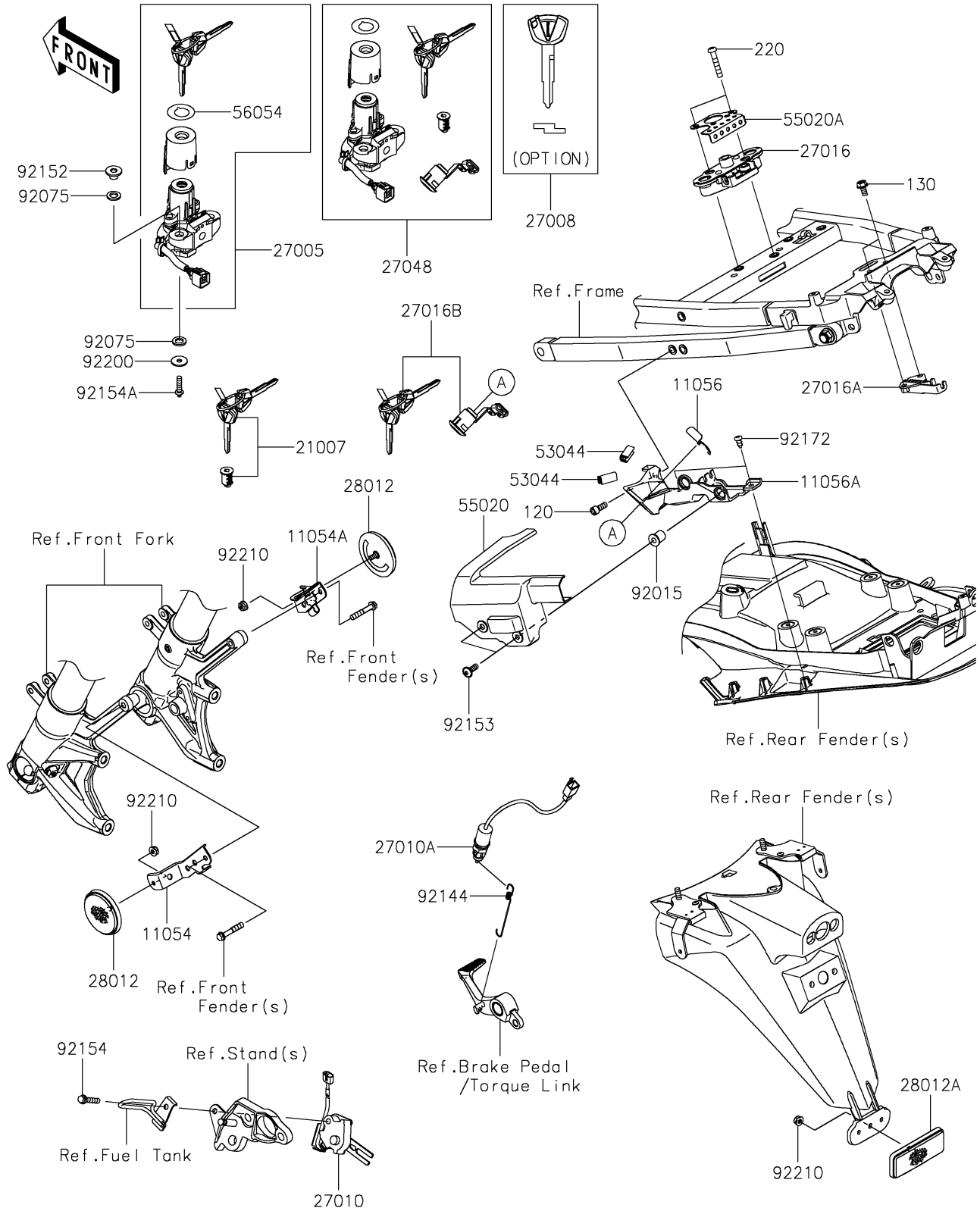


# 2024 Ninja ZX-14R ABS SE PARTS DIAGRAM

Ignition Switch/Locks/Reflectors

F2770



## 2024 Ninja ZX-14R ABS SE PARTS LIST

### Ignition Switch/Locks/Reflectors

ITEM NAME	PART NUMBER	QUANTITY
BRACKET,REFLECTOR,FR,LH (Ref # 11054)	11054-0692	1
BRACKET,REFLECTOR,FR,RH (Ref # 11054A)	11054-1227	1
BRACKET,CLASP (Ref # 11056)	11056-0238	1
BRACKET (Ref # 11056A)	11056-1512	1
ROTOR,LOCK,TANK CAP (Ref # 21007)	21007-5068	1
SWITCH-ASSY-IGNITION (Ref # 27005)	27005-0568	1
KEY-LOCK,BLANK (Ref # 27008)	27008-0069	1
SWITCH,SIDE STAND (Ref # 27010)	27010-0064	1
SWITCH,REAR BRAKE (Ref # 27010A)	27010-1479	1
LOCK-ASSY,SEAT STRIKER (Ref # 27016)	27016-0035	1
LOCK-ASSY,SEAT STRIKER (Ref # 27016A)	27016-1115	1
LOCK-ASSY,SEAT (Ref # 27016B)	27016-5374	1
SWITCH-ASSY (Ref # 27048)	27048-5013	1
REFLECTOR-REFLEX (Ref # 28012)	28012-0008	2
REFLECTOR-REFLEX (Ref # 28012A)	28012-1077	1
TRIM,L=22 (Ref # 53044)	53044-0031	2
GUARD,CABLE (Ref # 55020)	55020-0816	1
GUARD,SEAT STRIKER (Ref # 55020A)	55020-0855	1
MARK,IGNITION SWITCH (Ref # 56054)	56054-0969	1
NUT (Ref # 92015)	92015-1700	2
DAMPER (Ref # 92075)	92075-1564	4
SPRING,REAR BRAKE SWITCH (Ref # 92144)	92144-1753	1
COLLAR,6.2X10.3X10 (Ref # 92152)	92152-1611	2
BOLT,6X18 (Ref # 92153)	92153-0478	2
BOLT,FLANGED,6X30 (Ref # 92154)	92154-1857	1
BOLT,TORX,6X22 (Ref # 92154A)	92154-1858	2
SCREW,TAPPING,5X12 (Ref # 92172)	92172-0239	2
WASHER,6X20X1.6 (Ref # 92200)	92200-0212	2
NUT,FLANGED,5MM (Ref # 92210)	92210-0007	3

## 2024 Ninja ZX-14R ABS SE PARTS LIST

Ignition Switch/Locks/Reflectors

ITEM NAME	PART NUMBER	QUANTITY
BOLT-SOCKET,6X16 (Ref # 120)	120CA0616	1
BOLT-FLANGED,6X12 (Ref # 130)	130BA0612	2
SCREW-PAN-CROS,6X35 (Ref # 220)	220AA0635	2