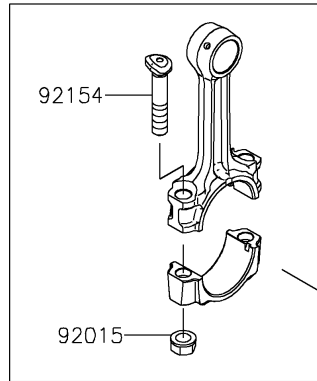
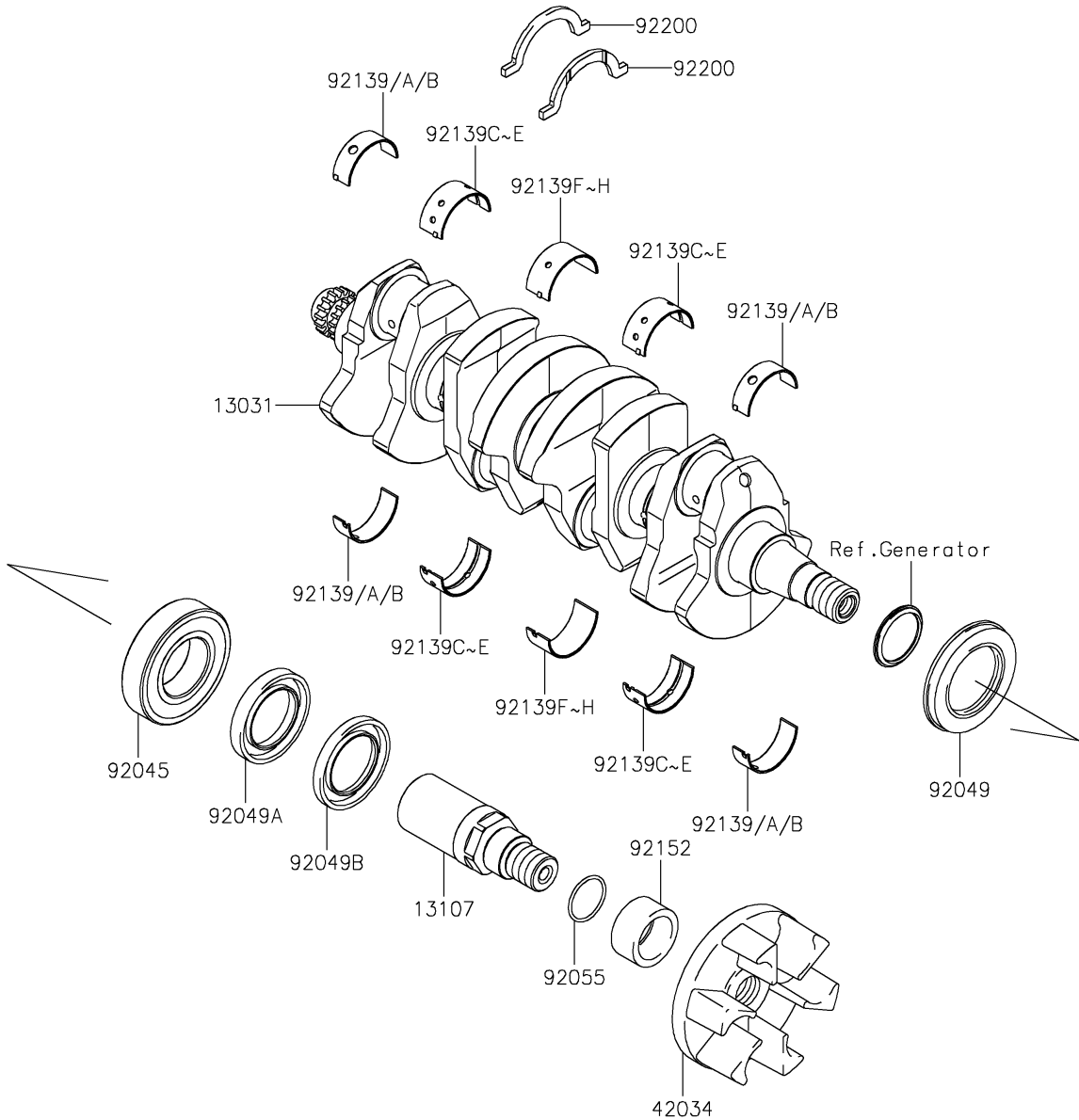
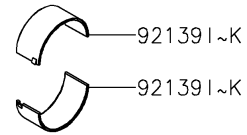


# 2024 JET SKI® STX® 160LX PARTS DIAGRAM

Crankshaft



E1321



## 2024 JET SKI® STX® 160LX PARTS LIST

### Crankshaft

| ITEM NAME                                    | PART NUMBER   | QUANTITY |
|--|---------------|----------|
| CRANKSHAFT-COMP (Ref # 13031)                | 13031-0968    | 1        |
| SHAFT (Ref # 13107)                          | 13107-3785    | 1        |
| ROD-ASSY-CONNECTING,I (Ref # 13251)          | 13251-3703-II | 4        |
| COUPLING (Ref # 42034)                       | 42034-3711    | 1        |
| NUT,CONNECTING ROD (Ref # 92015)             | 92015-1559    | 8        |
| BEARING-BALL,6208ZZ AS2S (Ref # 92045)       | 92045-3739    | 1        |
| SEAL-OIL,SD347626LHS (Ref # 92049)           | 92049-3736    | 1        |
| SEAL-OIL,FPJ740628.5ZS (Ref # 92049A)        | 92049-3737    | 1        |
| SEAL-OIL,S40626NS (Ref # 92049B)             | 92049-3738    | 1        |
| RING-O,27.7X2.4 (Ref # 92055)                | 92055-091     | 1        |
| BUSH,CRANK,#1&#5,BLU,NA MODEL (Ref # 92139)  | 92139-0942    | 4        |
| BUSH,CRANK,#1&#5,BLK,NA MODEL (Ref # 92139A) | 92139-0943    | AR       |
| BUSH,CRANK,#1&#5,BRN,NA MODEL (Ref # 92139B) | 92139-0944    | AR       |
| BUSH,CRANK,#2&#4,BLU,NA MODEL (Ref # 92139C) | 92139-0945    | 4        |
| BUSH,CRANK,#2&#4,BLK,NA MODEL (Ref # 92139D) | 92139-0946    | AR       |
| BUSH,CRANK,#2&#4,BRN,NA MODEL (Ref # 92139E) | 92139-0947    | AR       |
| BUSH,CRANK,#3,BLU,NA MODEL (Ref # 92139F)    | 92139-0948    | 2        |
| BUSH,CRANK,#3,BLK,NA MODEL (Ref # 92139G)    | 92139-0949    | AR       |
| BUSH,CRANK,#3,BRN,NA MODEL (Ref # 92139H)    | 92139-0950    | AR       |
| BUSHING,CONNECTING ROD,BLUE (Ref # 92139I)   | 92139-3708    | 8        |
| BUSHING,CONNECTING ROD,BLACK (Ref # 92139J)  | 92139-3709    | AR       |
| BUSHING,CONNECTING ROD,BROWN (Ref # 92139K)  | 92139-3710    | AR       |
| COLLAR,OUTPUT RR,L=19.5 (Ref # 92152)        | 92152-3733    | 1        |
| BOLT,CONNECTING ROD,9MM (Ref # 92154)        | 92154-3720    | 8        |
| WASHER (Ref # 92200)                         | 92200-3789    | 2        |